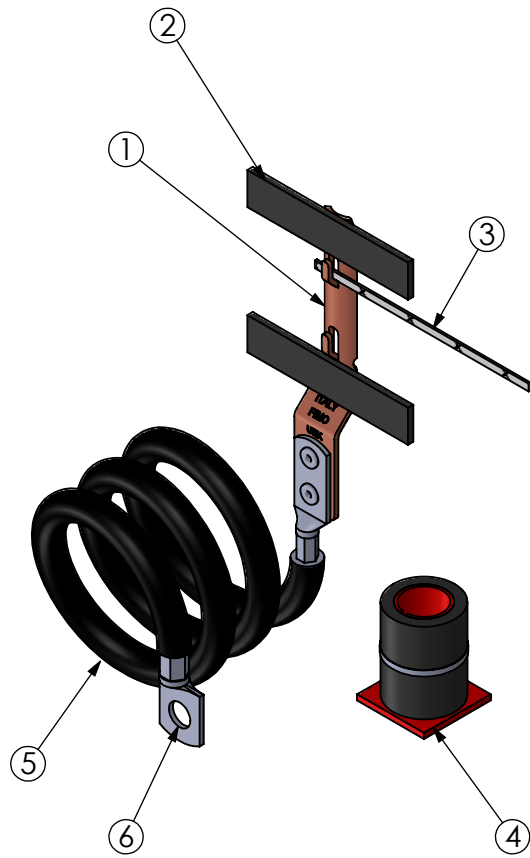


# PRODUCT DATA SHEET



## A) SPECIFICATIONS

- 1 Tinned Brass contact bar
- 2 Butyl strip
- 3 Tin-plated copper mesh
- 4 Protecting and sealing self-agglomerating silicone tape. Color black on reel
- 5 Rigid 7x1.70= 16mm<sup>2</sup> copper cable, black P.E. insulation
- 6 Cable lug Ø8: Tinned copper

## B) RESISTANCE TEST

### Lightning test:

Peak Current 100 kA (10/350 µs)

Charge 50C

Protection Level III-IV in accordance with IEC 61312-1 Standard

### Water Tightness:

IP 68 (FIMO Test in accordance with IEC60529)

### Corrosion Test:

Salt Spray test in accordance with ISO 9227 Standard

**Contact Resistance:** <= 1 mOhm

**Operating Temperature:** -50°C +80 °C

## C) DELIVERY MODALITIES

Packing in boxes ok 10 kits

Label indicanting:

product code, article, production, batch

FIMO logo and picture

(customer code on request)

## D) MOUNTING INSTRUCTION

UEK IST 024 REV 0

code	<b>6115050001</b>
article	UEK 1 M

10	0.0644kg

RI	DATE	DR	DATE	AP	Description:  <b>UEK 1 M=monoblock earthing Kit for Cables d. 5-11</b>
02					
01					
00	17/06/2014	E.B.	17/06/2014	A.V.	
1 <sup>ST</sup> EMISSION					Use: Earthing of coaxial cables and elliptic or rectangular waveguides Coaxial Cable : RG 223 - RG58 - RG59 - RG 8 - RG213/214 1/4"- 3/8" Elliptic guide : 220 - 250 - 380