



Parabolic antenna JRMB - 900 -17Ra

Antenna JRMB - 900 - 17 is designed for microwave links at the frequency band 17 GHz and 18 GHz. Precise performance with deep reflector dish complies with standard ETSI EN 302-217-4-2 class 2. High cross-port isolation allows to use system with polarization separation.

Electrical parameters:

Frequency range	17.1 – 19.7 GHz
Gain	41.5 ± 1 dBi
Side lobes suppression	≥ 23 dB
Front to back ratio	≥ 58 dB
Beamwidth_{-3 dB}	1.4°
Cross-port isolation	≥ 45 dB (at 17 GHz frq. band)
Polarization	Vertical / Horizontal
Return loss (VSWR)	≥ 17 dB (≤ 1.3)
ETSI standard	EN 302-217-4-2 v1.5.1 Class 2

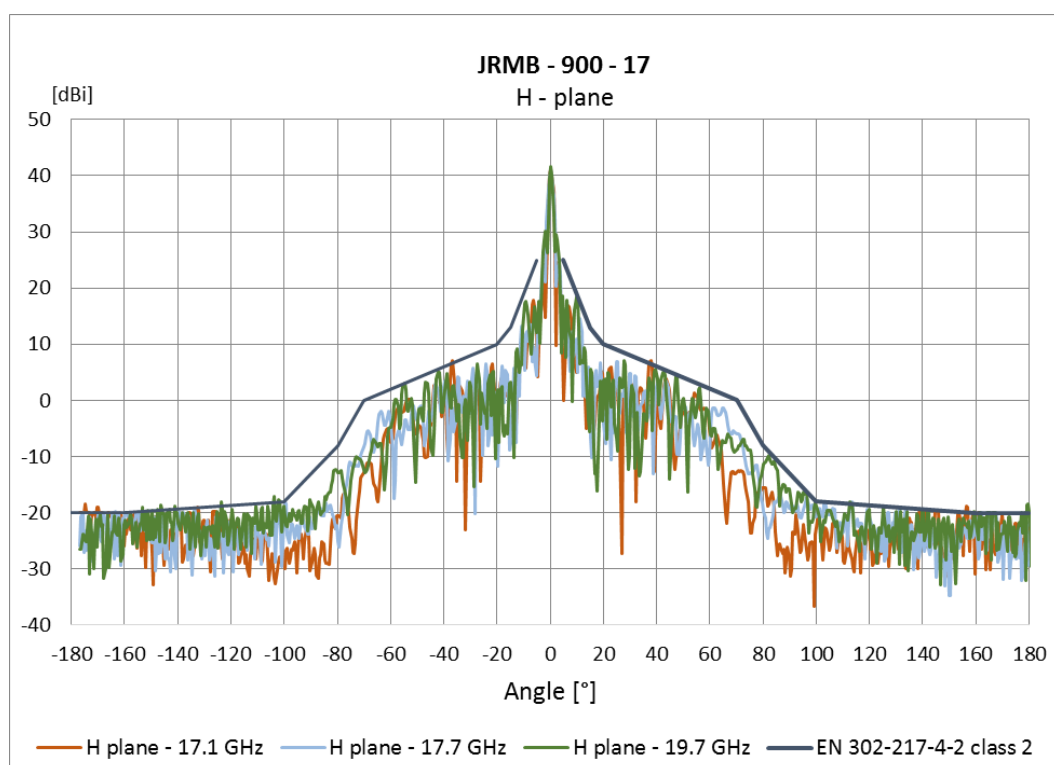
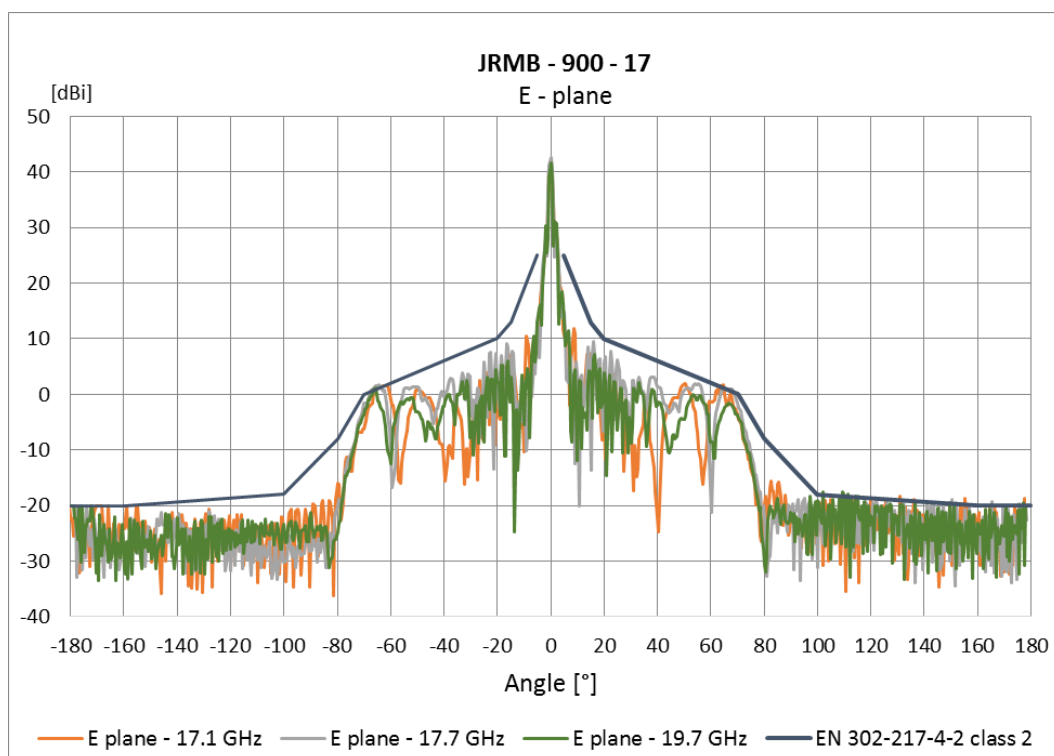
Mechanical parameters:

Parabola	Ø 900 mm, aluminium alloy
Depth of parabola	331 mm
Cover	UV steady plastic ABS
Input / output	Circle waveguide Ø 11 mm
Installation for mast	Ø 40 – 120 mm
Operating wind load	140 km/h (87 mph)
Survival wind load	210 km/h (130 mph)
Weight of antenna	12.44 kg (27.42 lbs.)
of bracket	4.3 kg (9.48 lbs.)
Shipping dimensions	1000 mm x 1000 mm x 490 mm
Waveguide + fixing of the microwave unit	Racom compatible

The antenna is supplied together with a massive bracket that allows easy mounting on a mast. Antenna bracket can be installed separately on the mast. Subsequently, the antenna with the microwave unit can be simply hang up on it. Whole antenna system has extreme wind stability. The bracket allows fine setting elevation (of gradient) and azimuth ± 20°. It is possible to be mounted to the right and left side. We recommend mounting on the mast with minimum Ø 70 mm in the areas with the occurrence of the adverse weather conditions.

Parabolic antenna JRMB - 900 - 17Ra

Measurement of radiation pattern:



Parabolic antenna JRMB - 900 -17Ra

Outline:

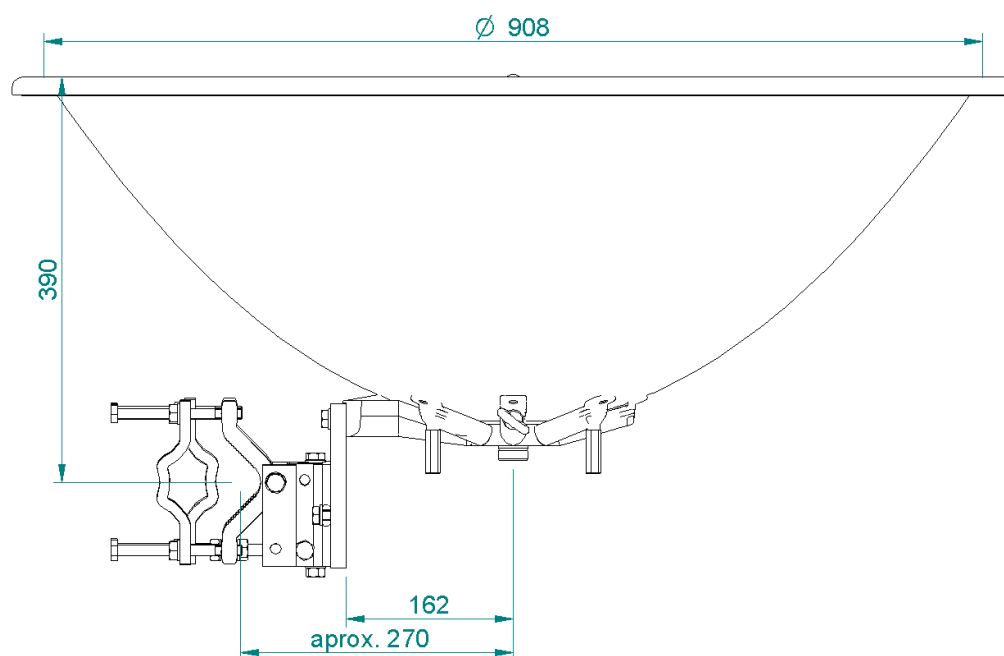


Fig. 1 Antenna dimensions

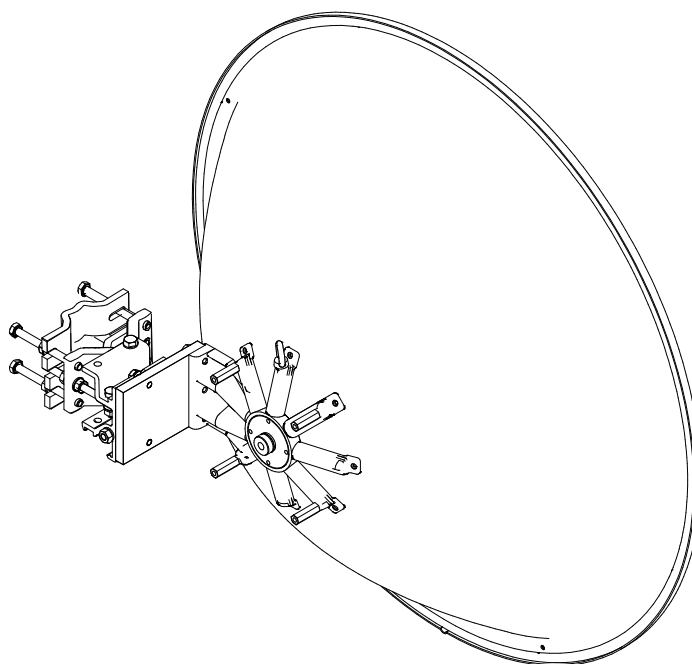


Fig. 2 Antenna with massive bracket (back side)