

# Antenna ANT-AB0727B

Frequency: 824~960/1710~2170MHz

Gain: up to 2 dBi

VSWR: <3:1

Polarization: Linear

Impedance: 50 Ohms

Operating temperature: -40°C to +65°C

Dimension: 264 x 75 mm

Weight: 250 g

Assembly: fixed installation

Cable: RG174

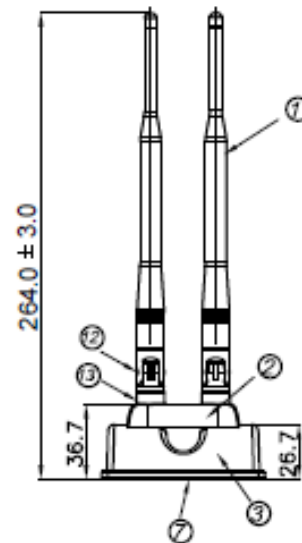
Connector: SMA male or other

PN: ANT-AB0727B-xxxxyyzzz

xxx – cable length in cm

yyy – first connector

zzz – second connector



# Antenna ANT-AB0727B technical information

