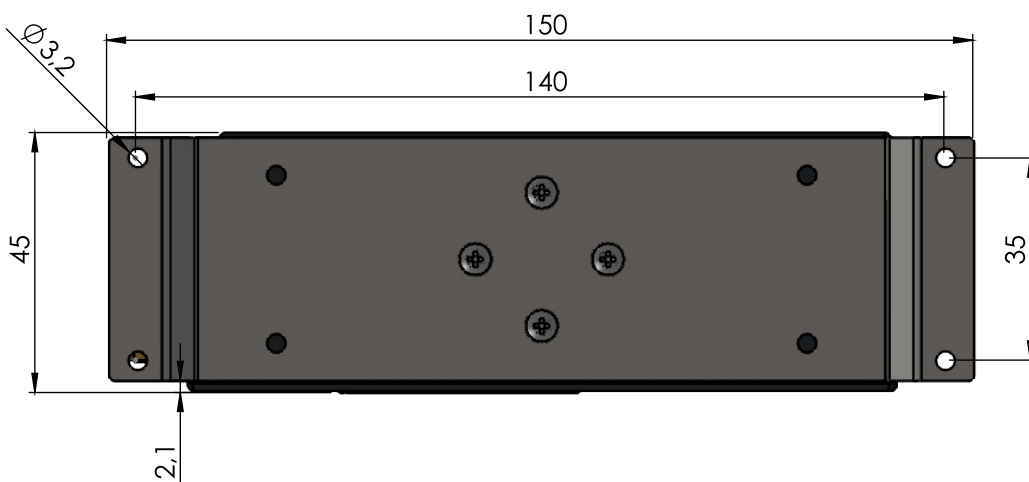
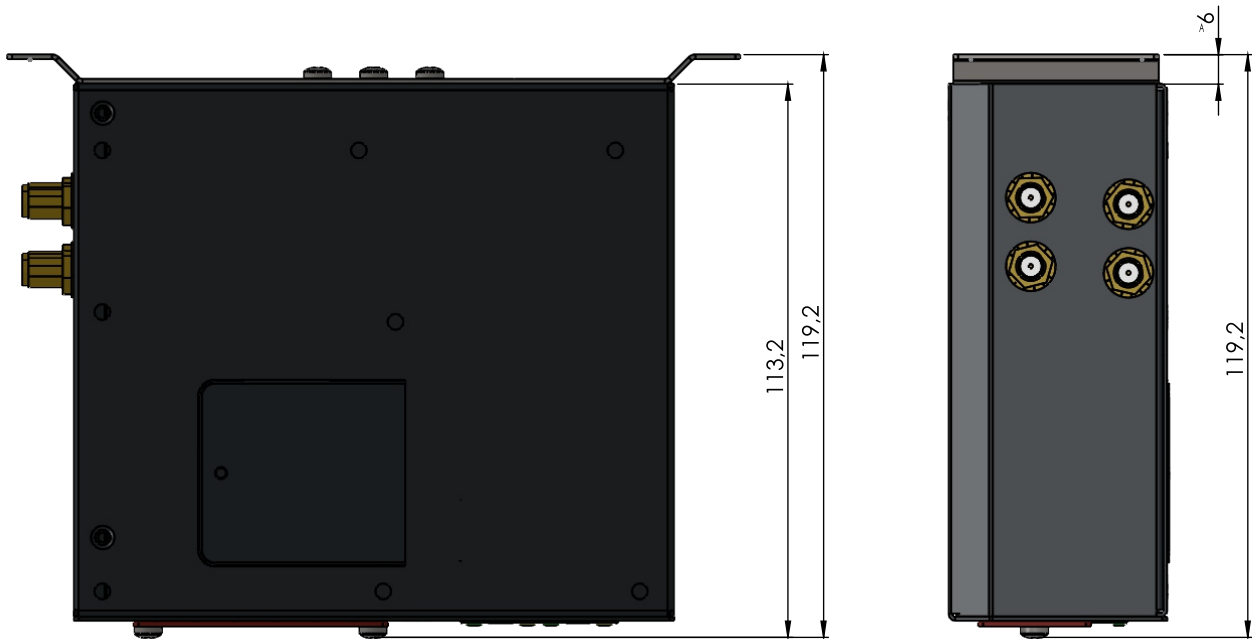


# Flat bracket

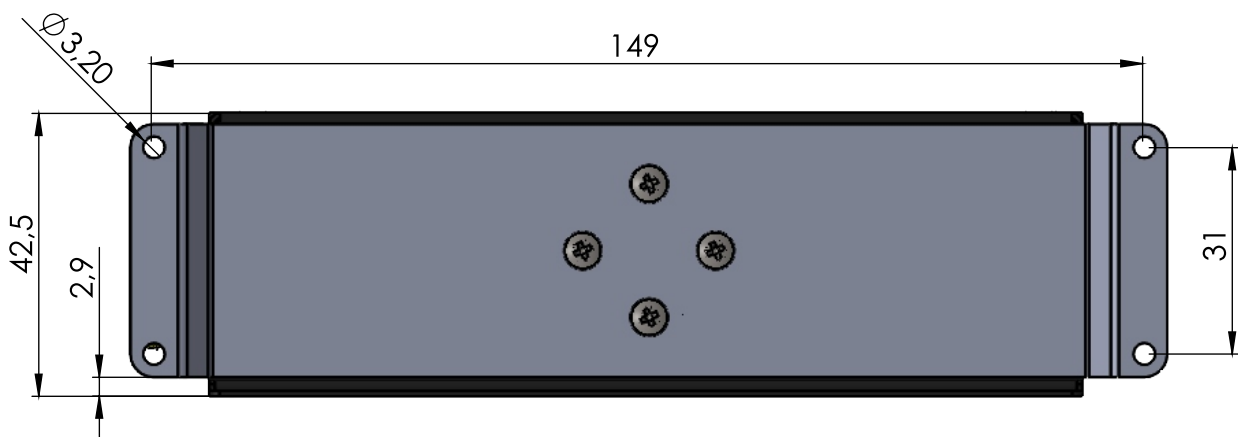
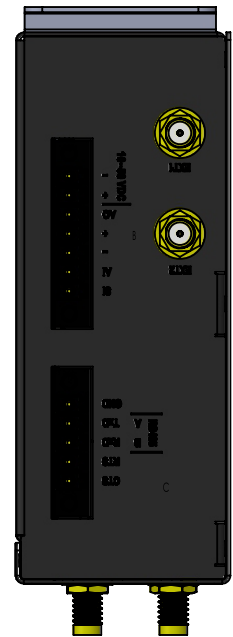
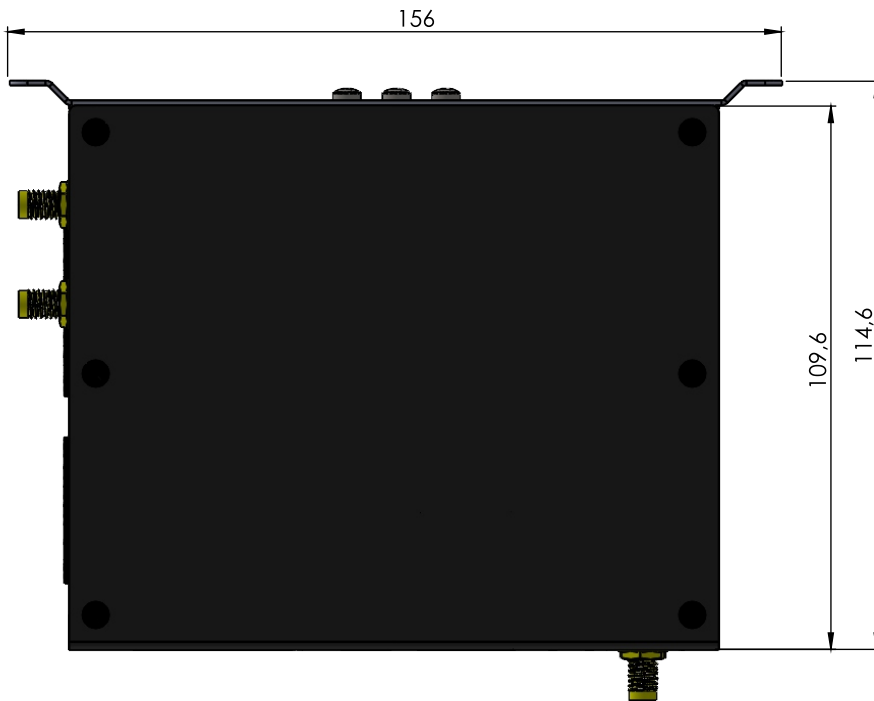
# MIDGE2



ver. 1.0

# Flat bracket

# MIDGE 3



ver. 1.0