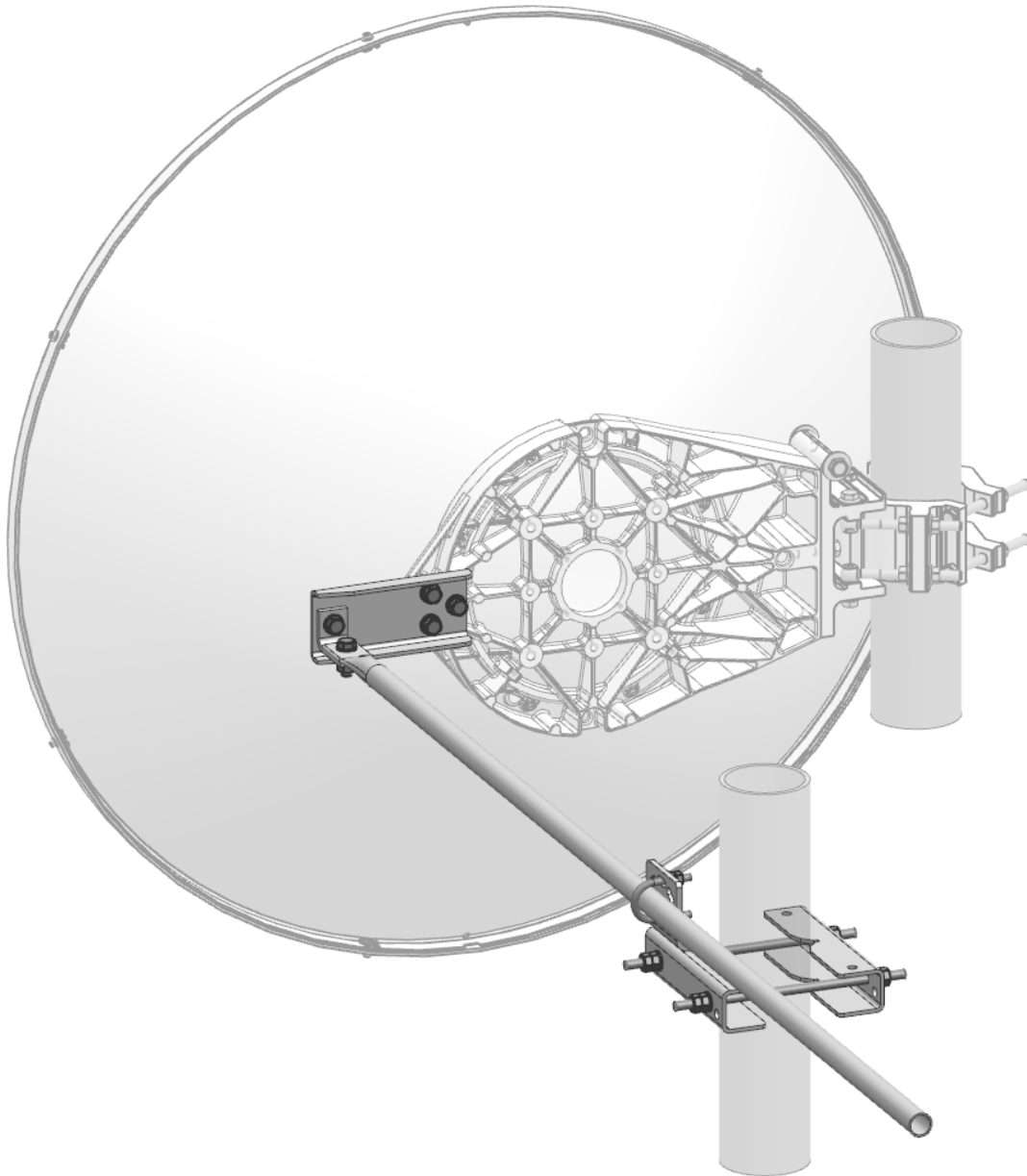


Installation instruction

Side strut kit – 0.9/1.2m antenna



LEAX Arkivator Telecom disclaims any liability for the results of improper or unsafe installation, inspection, maintenance, or removal practices.

Torsgatan 5B
SE-411 04 GÖTEBORG
SWEDEN

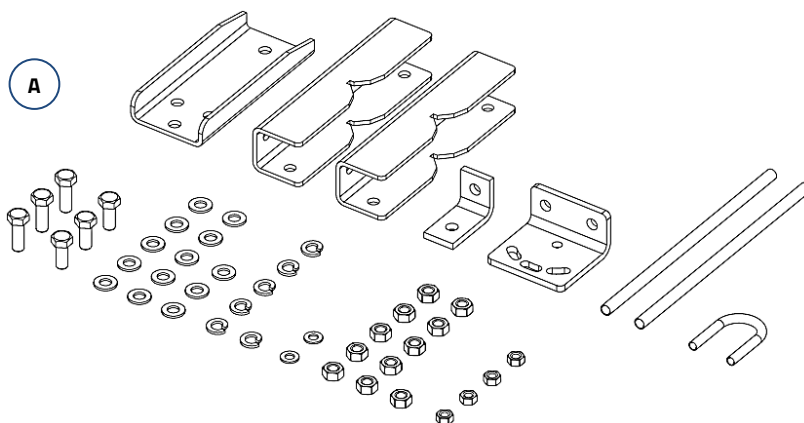
Telephone: +46 31 386 11 00
customer.lat@leax.com
www.leax.com

Tools required

- ✓ Combination wrenches (ring/open jaw) for Hex 13 & 16mm; for M8 and M10.
- ✓ Tool for torque levels; 24Nm and 49Nm.

Included parts

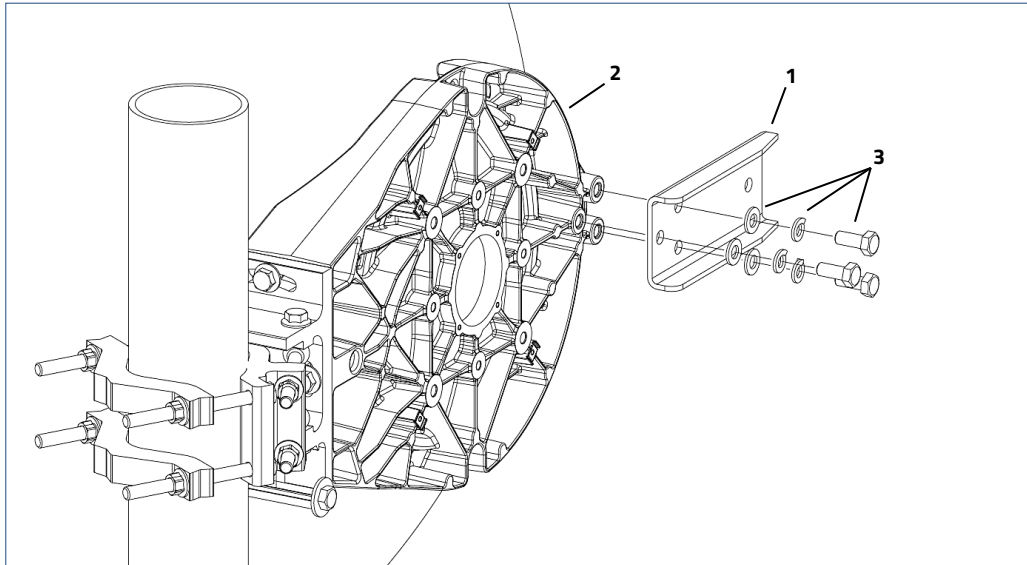
Item	Qty	Description
A	1	Side strut kit (Box)
	1	Strut support bracket
	2	Clamp bracket
	1	L-bracket
	1	Strut attachment bracket
	2	M10 rod
	1	M8 U-bolt
	3	M10x30 screw
	3	M10x25 screw
	13	Washer M10
	6	Spring washer M10
	2	Washer M8
	11	M10 nut
	4	M8 nut
B	1	Side strut



Assembly

Step 1 – Strut support bracket

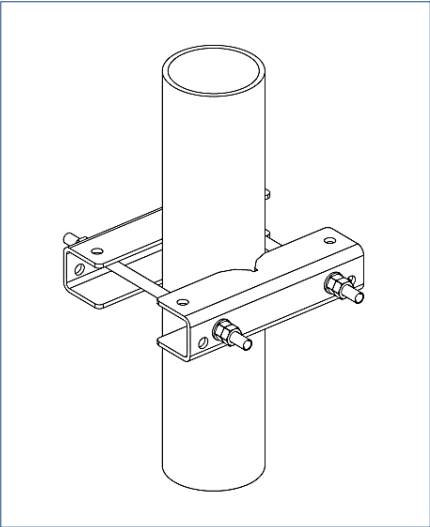
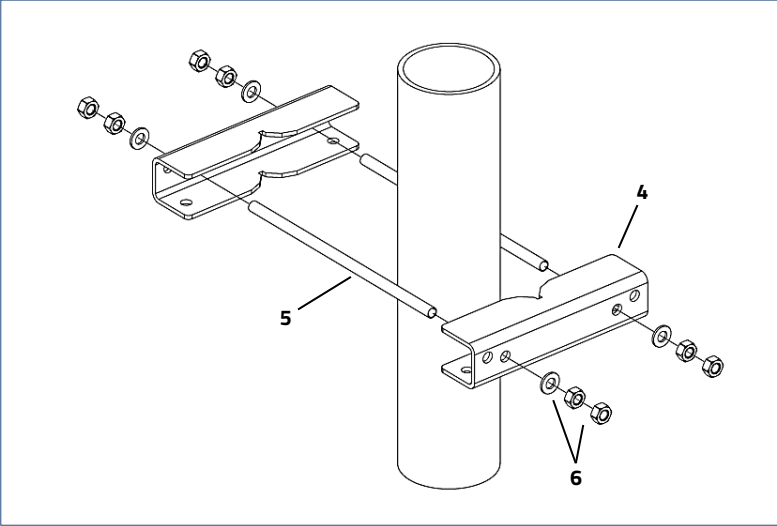
- a) Mount Strut support bracket (**1**) to Antenna (**2**) using 3pcs M10x25 screws / 3pcs Spring washer M10 / 3pcs Washers M10 (**3**). Tighten screws to torque of $49\text{Nm} \pm 5\%$.



Step 2 –Strut mount

For tower structure compatibility, see next page.

- a) Secure 2pcs Clamp bracket (4) to pipe or L-section structure using 2pcs M10 rod (5) and 4*2pcs M10 nut / 4*1pcs Washer M10 (6). Tighten nuts to torque of 49Nm ± 5%.

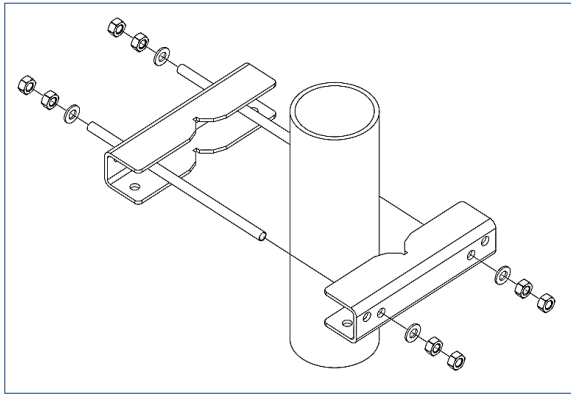


Alternative bracket orientation

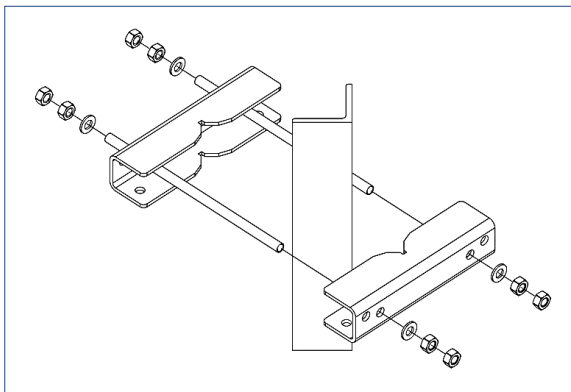
Compatible tower structure profiles

Tower pipe compatibility: $\varnothing 50$ - $\varnothing 115$.

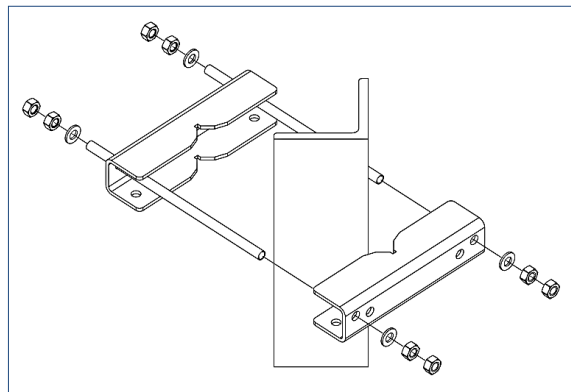
Tower L-section compatibility: L40x40- L110x110.



Assembly for pipes $\varnothing 50$ up to $\varnothing 115$



Assembly for L40x40 up to L70x70

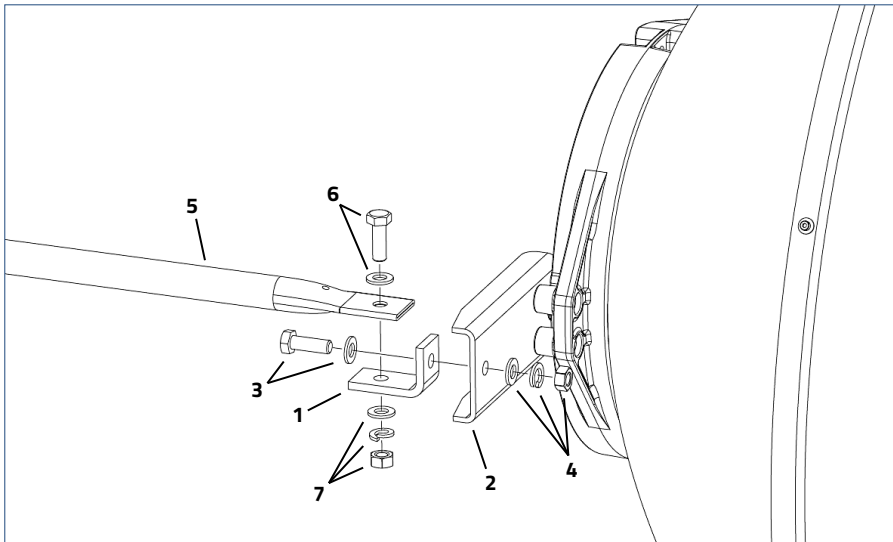


Assembly for L > 70x70 up to L110x110

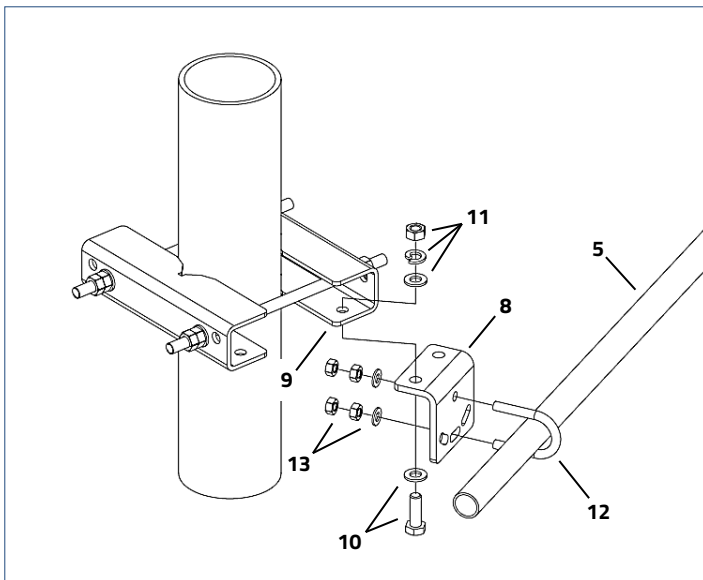
Installation

For an easier installation, Strut (5) should be fitted loosely until antenna alignment has been completed.

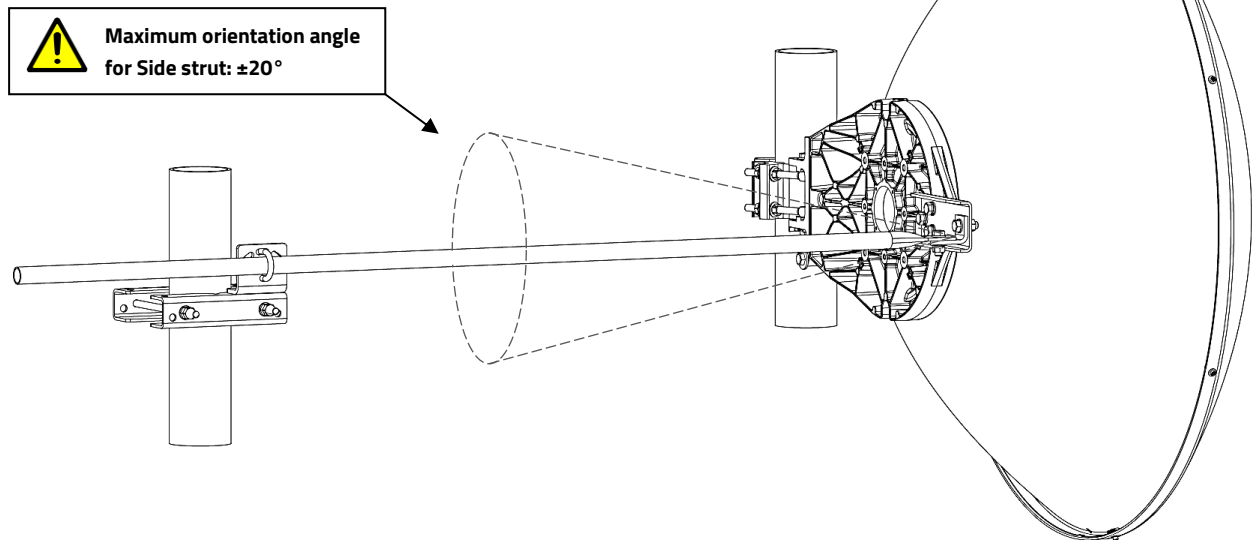
- a) Mount L-bracket (1) to Strut support bracket (2) using 1pcs M10x30 screw / 1pcs Washer M10 (3) and 1pcs M10 nut / 1pcs Spring washer M10 / 1pcs Washer M10 (4).
- b) Mount Side strut (5) to L-bracket (1) using 1pcs M10x30 screw / 1pcs Washer M10 (6) and 1pcs M10 nut / 1pcs Spring washer M10 / 1pcs Washer M10 (7).



- c) Mount Strut attachment bracket (8) to one of the four corners of the Clamp brackets (9) using 1pcs M10x30 screw / 1pcs Washer M10 (10) and 1pcs M10 nut / 1pcs Spring washer M10 / 1pcs Washer M10 (11).
- d) Attach and secure Side strut (5) to Strut attachment bracket (8) using 1pcs M8 U-bolt (12) and 2*2pcs M8 nut / 2*1pcs Washer M8 (13).



- e) Respect the maximum orientation angle indicated below.
(This angle may be limited by the radio equipment).



- f) After completing antenna alignment and orientation of side strut, tighten all fasteners:
- 2pcs M10 screws/nuts (**3/4** and **6/7**) to torque of 49Nm ± 5%.
 - 2*2pcs M8 nuts (**13**) to torque of 24Nm ± 5%.
 - 1pc M10 screw/nut (**10/11**) to torque of 49Nm ± 5%.

