



Parabolic antenna JRMA - 380 -10/11Ra

Antenna JRMA – 380 – 10/11Ra is designed for microwave links at the frequency bands 10 and 11 GHz. Precise performance is complying with standard ETSI EN 302-217-4-2 class 2. Whole antenna system has extreme wind stability.

Electrical parameters:

Frequency range	10.3 – 11.7 GHz
Gain – Low band	28.0 ± 0.5 dBi
Gain – High band	29.0 ± 0.5 dBi
Beamwidth_{-3 dB}	6° (low band) 5,2° (high band)
Return loss (VSWR)	≥ 18 dB (≤ 1,3)
Polarization	Vertical / Horizontal
ETSI standard	EN 302-217-4-2 v1.3.1 Class 2

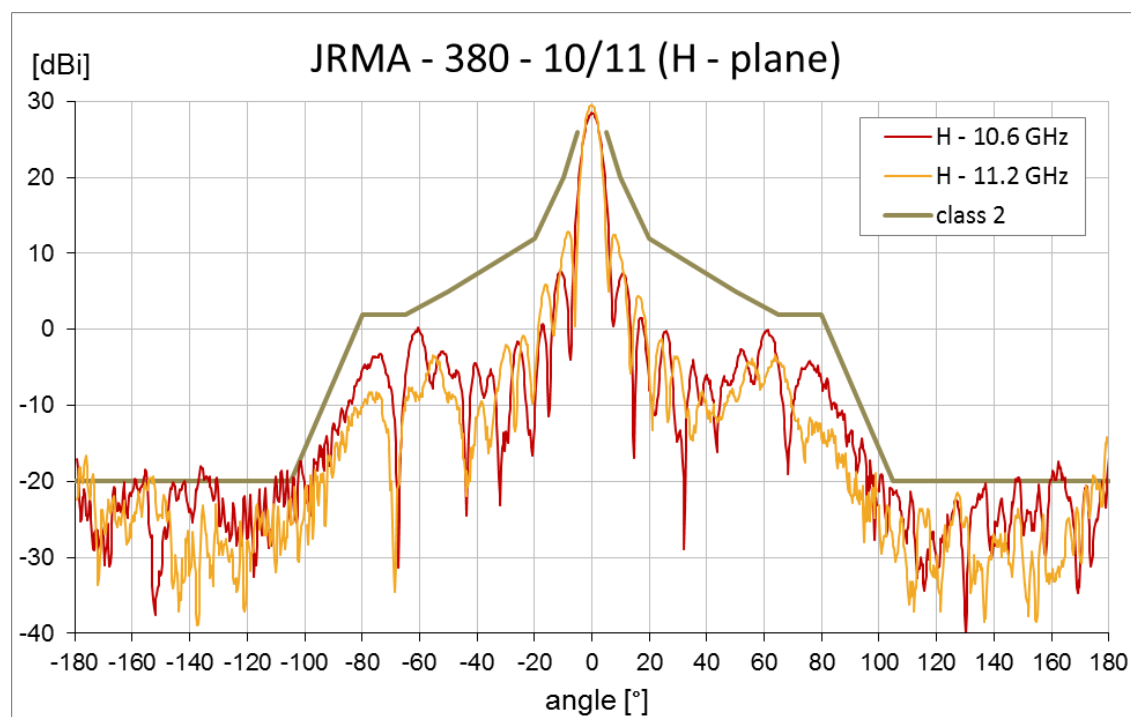
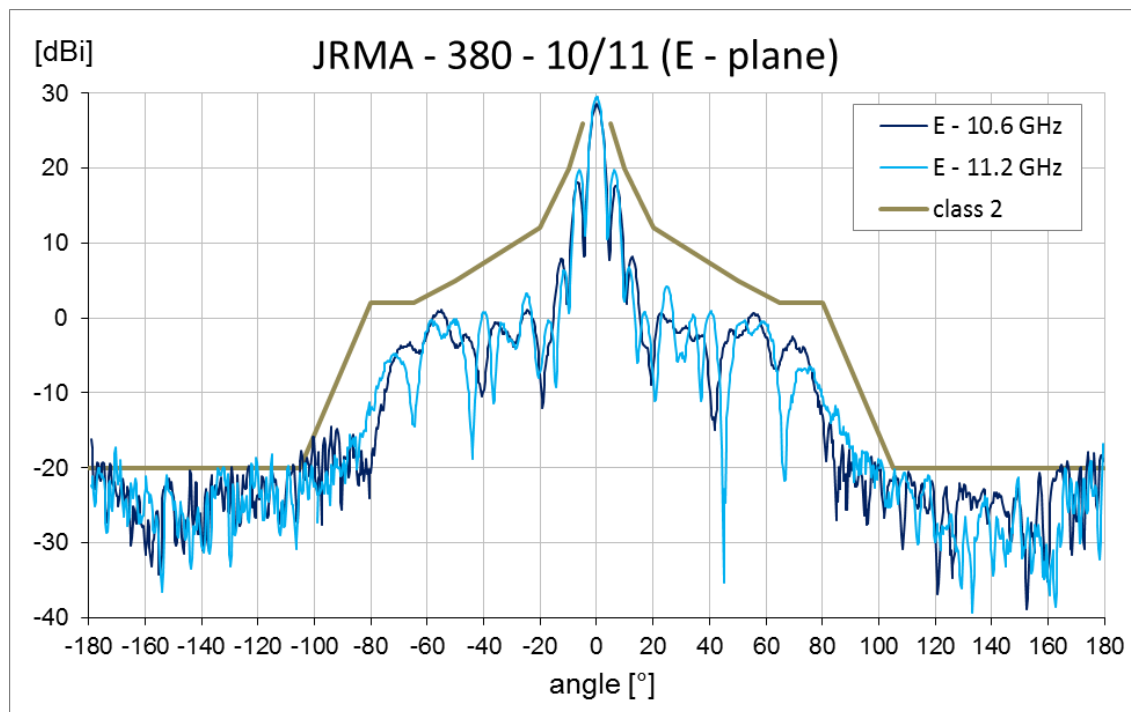
Mechanical parameters:

Parabola	ø 380 mm, Aluminium alloy
Cover	UV steady plastic ABS
Input / output	Circle waveguide 19 mm
Installation for mast	Ø 40 - 120 mm
Operating wind load	180 km/h
Survival wind load	240 km/h
Weight of antenna	4.4 kg (9.7 lbs.)
of holder	3.5 kg (7.7 lbs.)
Shipping dimensions	485 mm x 485 mm x 350 mm
Waveguide + fixing of the microwave unit	Racom compatible

The antenna is supplied together with a holder that allows easy mounting on a mast. Holder can be installed separately on the mast. Subsequently, you can simply hang up the antenna with microwave unit into it. Holder allows fine setting elevation (of gradient) and azimuth ± 20°. It is possible to mount to right and left side.

Parabolic antenna JRMA - 380 - 10/11Ra

Measurements of radiation pattern:



Parabolic antenna JRMA - 380 -10/11Ra

Outline:

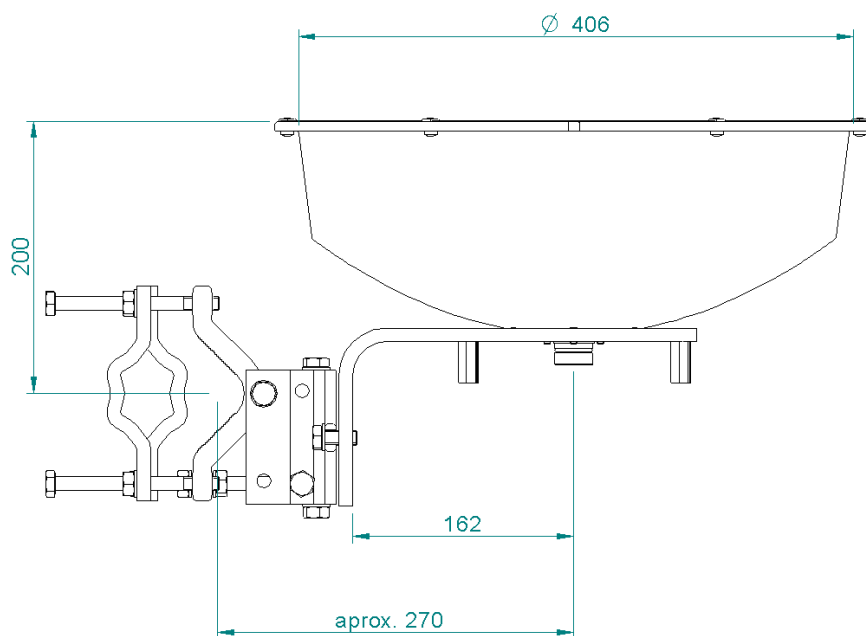


Fig. 1 Antenna dimensions

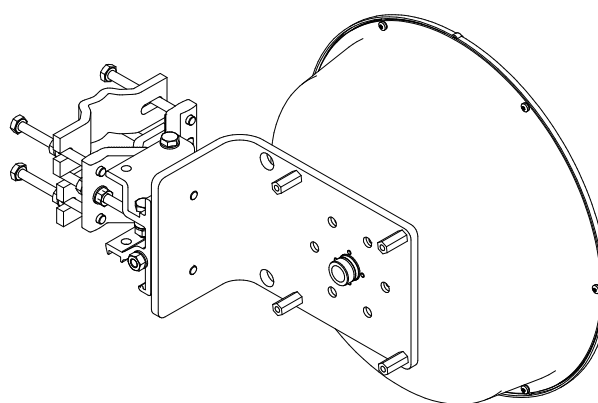


Fig. 2 Antenna with massive holder (back side)