

## COAXIAL RF SURGE PROTECTION

# VHF50 Series

The VHF50 Series provides DC block surge protection for LMR and remote monitor applications requiring frequencies between 100 MHz and 512 MHz. Industry leading PIM rated products are also available.



### FEATURES

- Wide-frequency ranges from 100 MHz to 512 Ghz
- 7/16" DIN and N-Type connectors available
- Ultra low PIM rated options
- Repeatable RF performance after surge
- Flexible bulkhead and bracket mounting capabilities
- Weatherproof when installed

### STANDARDS

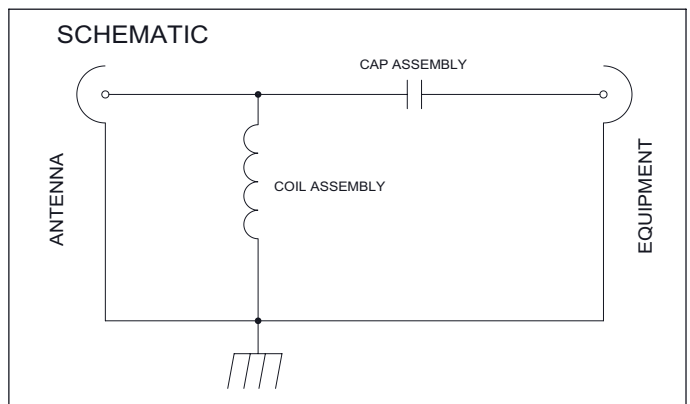
- Weatherproof: IEC 60529 IP 67
- Bellcore TA-NWT-000487
- Procedure 4.11, Wind Driven (120 MPH)
- CE and RoHS Compliant

### GENERAL SPECIFICATIONS

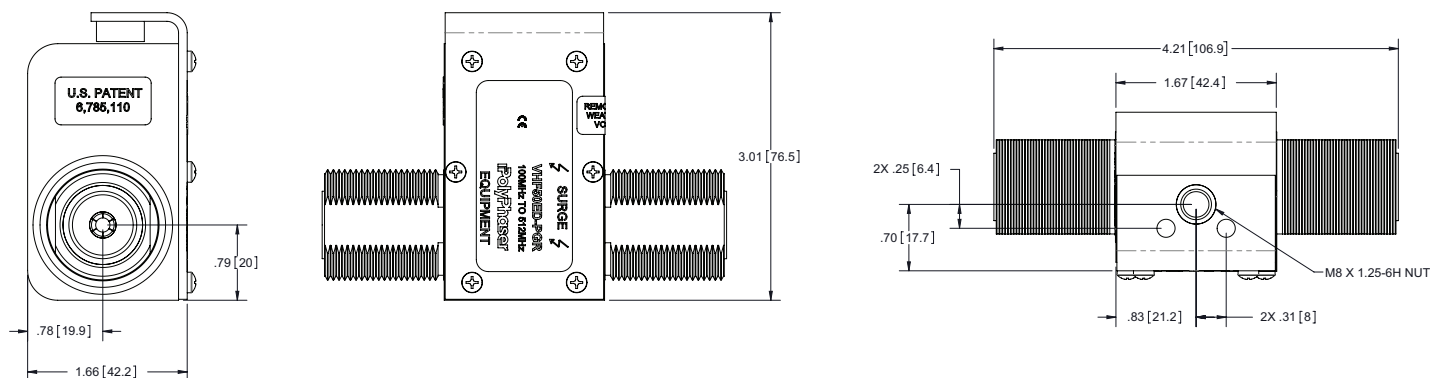
Insertion Loss	≤0.1dB
VSWR	≤1.1dB Over Frequency Range
Return Loss	< 26dB
PIM Rating to	-112dBm (-155dBc) Available

### PATENTED LIGHTNING ARRESTOR TECHNOLOGY

The VHF50 product family is based on PolyPhaser's patented filter surge protection technology. This circuit acts as a high-band filter, shunting surge energy to ground. The VHF50 technology has been approved by major OEMs for use with critical applications such as emergency response and public safety communications.



### DIMENSIONS



## AVAILABLE VHF50 PART NUMBERS

Part Number	Frequency Range	Connector	PIM Rating (2 x 20W)	RF Power (RMS)	Let-Through Energy
VHF50ED-MA-PGR	100MHz – 512MHz	7/16" DIN	-155dBc	750W	≤500nJ
VHF50ED-PGR	100MHz – 512MHz	7/16" DIN	-155dBc	750W	≤500nJ
VHF50D-MA-PGR	100MHz – 512MHz	7/16" DIN	Type -150dBc	750W	≤500nJ
VHF50D-PGR	100MHz – 512MHz	7/16" DIN	Type -150dBc	750W	≤500nJ
VHF50HD	100MHz – 512MHz	7/16" DIN	–	750W	≤500nJ
VHF50HD-MA	100MHz – 512MHz	7/16" DIN	–	750W	≤500nJ
VHF50HN	100MHz – 512MHz	N-Type	–	750W	≤500nJ
VHF50HN-B	100MHz – 512MHz	N-Type	–	750W	≤500nJ
VHF50HN-MA	100MHz – 512MHz	N-Type	–	750W	≤500nJ
VHF50HN-ME	100MHz – 512MHz	N-Type	–	750W	≤500nJ

- MA for Male Surge (Antenna) Connector
- ME for Male Protected (Equipment) Connector