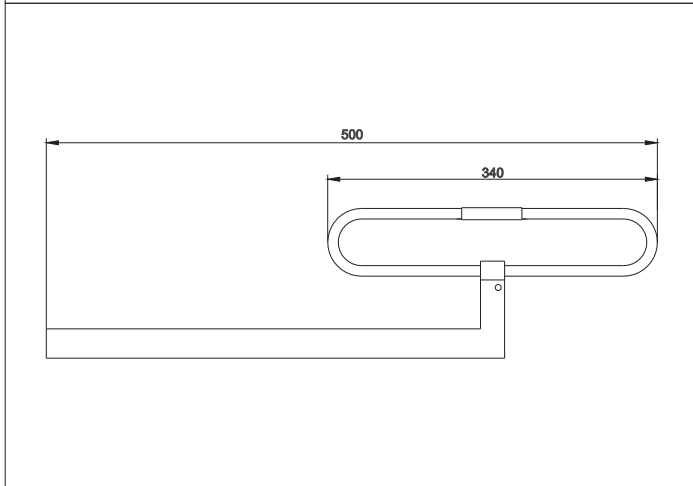
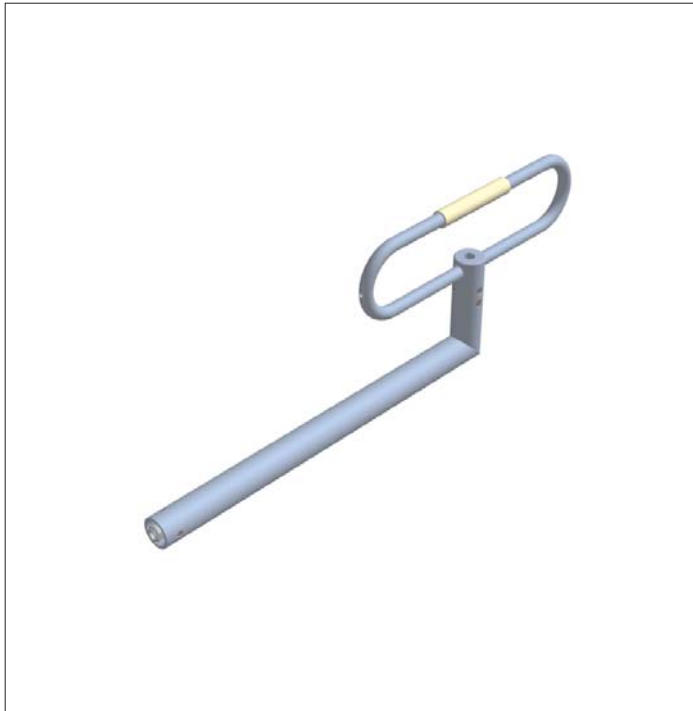




Offset Antennas

OV400.1R



The offset antenna OV400.1R is a base antenna for radiostations working in bands of 400-435 MHz. This antenna has a slightly directional radiation pattern with the gain of 2.5 dBd. The antenna is broadband and that is why it is suitable for duplex operations.

The antenna is constructionally designed as half-wave dipole which is put on a supporting pipe. The antenna is produced of aluminium alloy and on the surface it is covered by polyester colour. During the lightning strike the antenna is protected by galvanic connection with the tower. The wind resistance is 150 km/h.

The antenna is connected to the coaxial cable by the coaxial plug "N" type which is soldered together with the antenna.

ELECTRICAL PARAMETERS

| | |
|--------------------------------|---|
| Frequency range [MHz] | 400-435 |
| Gain [dBd] | 2.0-2.5 |
| F/B ratio [dB] | 8 |
| Radiation angle in E-plane [°] | 58-62 |
| Radiation angle in H-plane [°] | 160-170 |
| VSWR | <1.5 |
| Polarization | Vertical |
| Impedance [Ohm] | 50 |
| Max. Input power [W] | 200 |
| Antistatic protection | All metal parts DC-grounded (shows as DC-short) |

MECHANICAL PARAMETERS

| | |
|--|---|
| Connection | N female |
| Wind Surface/ with 15 mm icing [m ²] | 0.028 / 0.105 |
| Wind Load/ with 15 mm icing [N] | 43 / 166 @ 150 km/h |
| Length Boom/Driver [mm] | 500 / 340 |
| Weight [kg] | 1.0 |
| Mouting | Supplied with two mast bracket suitings 30-76 mm dia.mast |

RADIATION PATTERNS

| | |
|---------|---------|
| E-plane | 084EC00 |
| H-plane | 030EA19 |

Radiation Patterns code is generated with VAS9TOOL software

SWR OV400.1R

