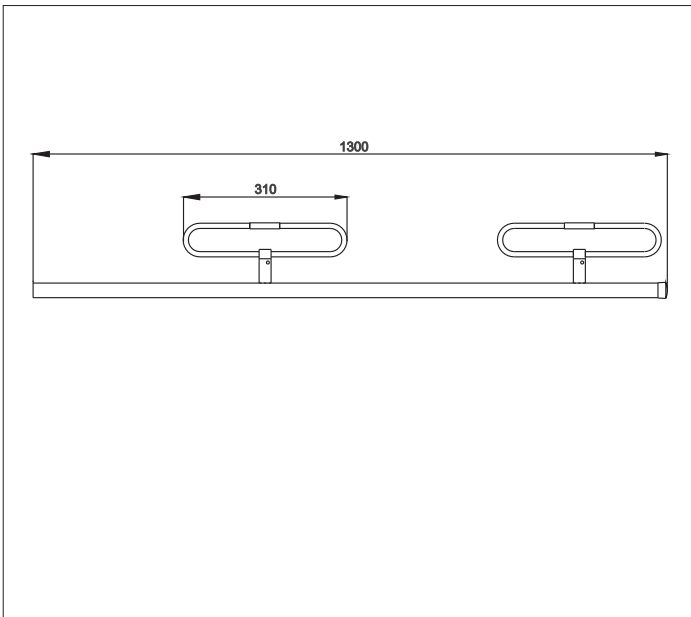
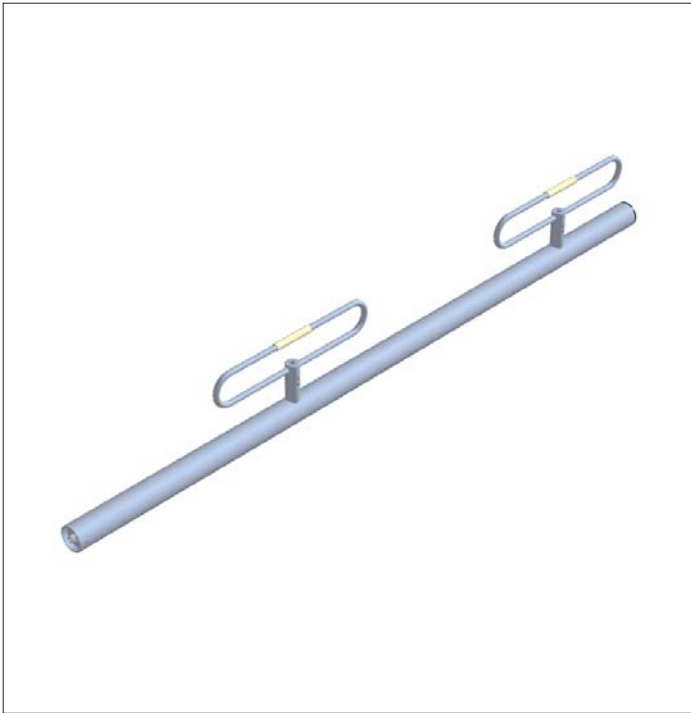




Offset Antennas

OV430.2R



The offset antenna OV430.2R is a base antenna for radiostations working in bands of 430-470 MHz. This antenna has a slightly directional radiation pattern with the gain of 6.9-7.2 dBd. The antenna is broadband and that is why it is suitable for duplex operations.

The antenna is constructionally designed as two half-waves dipoles which are put on a supporting pipe, one above the other, and they are fed in phase with the same power by coaxial cable from a divider of DC400.2 type which is placed inside the supporting pipe. The antenna is produced of aluminium alloy and on the surface it is covered by polyester colour. During the lightning strike the antenna is protected by galvanic connection with the tower. The wind resistance is 150 km/h.

The antenna is connected to the coaxial cable by the coaxial plug "N" type which is soled together with the antenna.

ELECTRICAL PARAMETERS

| | |
|--------------------------------|---|
| Frequency range [MHz] | 430-470 |
| Gain [dBd] | 6.9-7.2 |
| F/B ratio [dB] | 9-10 |
| Radiation angle in E-plane [°] | 26-29 |
| Radiation angle in H-plane[°] | 151-161 |
| VSWR | <1.7 |
| Polarization | Vertical |
| Impedance [Ohm] | 50 |
| Max. Input power [W] | 200 |
| Antistatic protection | All metal parts DC-grounded (shows as DC-short) |

MECHANICAL PARAMETERS

| | |
|--|---|
| Connection | N female |
| Wind Surface/ with 15 mm icing [m ²] | 0.068 / 0.243 |
| Wind Load/ with 15 mm icing [N] | 108 / 387 @ 150 km/h |
| Length Boom/Driver [mm] | 1300 / 310 |
| Weight [kg] | 3.0 |
| Mouting | Supplied with two mast bracket suitings 30-76 mm dia.mast |

RADIATION PATTERNS

| | |
|---------|---------|
| E-plane | 012EA11 |
| H-plane | 033KA00 |

Radiation Patterns code is generated with VAS97TOOL software

SWR OV430.2R

