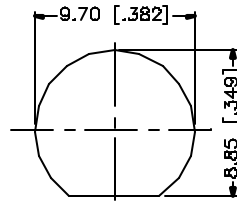
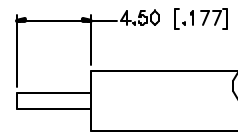
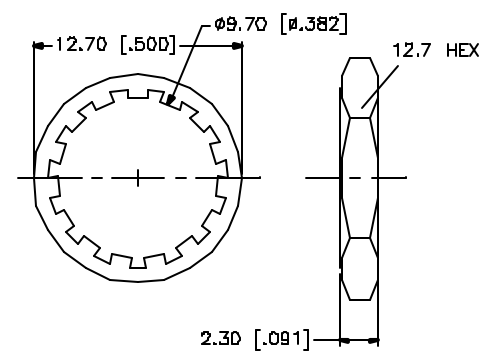
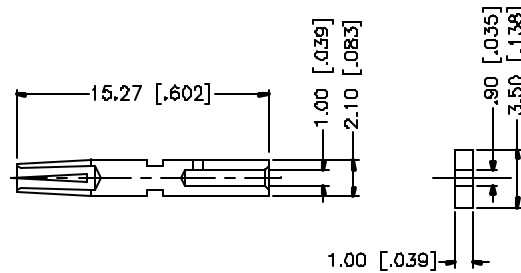
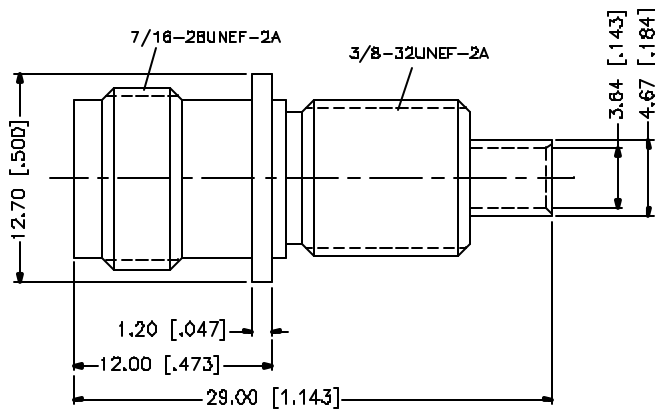


REV.	DATE	DESCRIPTION
A	01/15/04	UPDATE DRAWING FORMAT



RECOMMENDED MOUNTING HOLE



RECOMMENDED CABLE STRIPPING DIM'S

QTY	DESCRIPTION	MATERIAL	FINISH	QTY
1	BODY	BRASS	NICKEL	1
2	INSULATOR	TEFLON	NATURAL	1
3	CONTACT PIN	PHOS. BRONZE	GOLD	1
4	LOCK WASHER	BRASS	NICKEL	1
5	HEX NUT	BRASS	NICKEL	1
6				
7				
8				

UNLESS OTHERWISE SPECIFIED DIMENSIONS ARE IN MILLIMETERS DIMENSIONS IN [ ] ARE IN INCHES AND FOR CUSTOMER REFERENCE ONLY.

UNLESS OTHERWISE SPECIFIED TOLERANCES FOR MILLIMETERS ARE:  
0.5 - 8mm ± 0.20mm  
8 - 30mm ± 0.40mm  
30 - 120mm ± 0.50mm

UNLESS OTHERWISE SPECIFIED TOLERANCES FOR INCHES ARE:  
.020 - .315 = ± 0.007"  
.315 - 1.180 = ± 0.015"  
1.180 - 4.724 = ± 0.020"

DO NOT SCALE DRAWING

APPROVALS	DATE
DRAWN G.R.S.	01/15/04
CHECKED	
ISSUED	
SHEET 1 OF 1	
CAD FILE C:/122/122406.DWG	

**Amphenol Connex**

PART DESCRIPTION  
**TNC BULKHEAD DIRECT SOLDER JACK  
FRONT MOUNT .141 SIMI RIGID CABLE**

PART NO. **122406**

DWG. NO. 122406.DWG REV. A SIZE A SCALE NA