

Installation instruction

0.3m Antenna



LEAX Arkivator Telecom disclaims any liability for the results of improper or unsafe installation, inspection, maintenance, or removal practices.

Torsgatan 5B
SE-411 04 GÖTEBORG
SWEDEN

Telephone: +46 31 386 11 00
customer.lat@leax.com
www.leax.com

Tools required

- ✓ Combination wrench (ring/open jaw) for Hex 13mm; for M8.
- ✓ Socket wrench and sockets for Hex 13mm; for M8.
- ✓ Tool for torque levels; 24Nm and 32Nm.

Unpacking

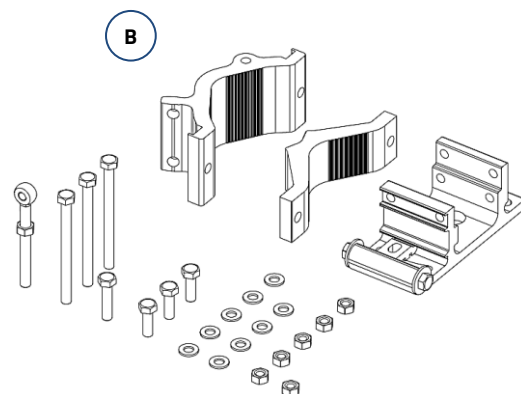
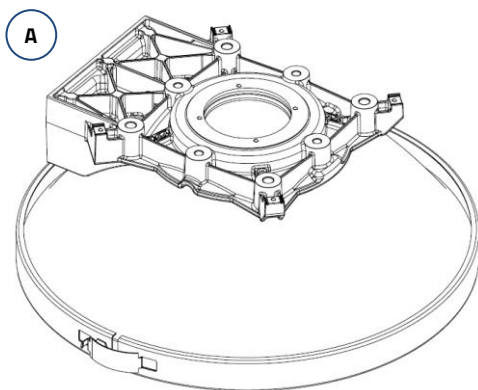
Place antenna on a flat clean surface, such as on top of the packing material.



Handle Antenn carefully at all times.

Included parts

Item	Qty	Description
A	1	Antenna
B	1	Antenna support (Box)
	1	Pipe attachment bracket
	1	Clamp bracket
	1	Pivot bracket
	1	M8 link screw (and M8 nut)
	3	M8x100 screw
	1	M8x35 screw
	3	M8x25 screw
	9	Washer M8
	6	M8 nut



Assembly

Step 1 – Radio unique Installation

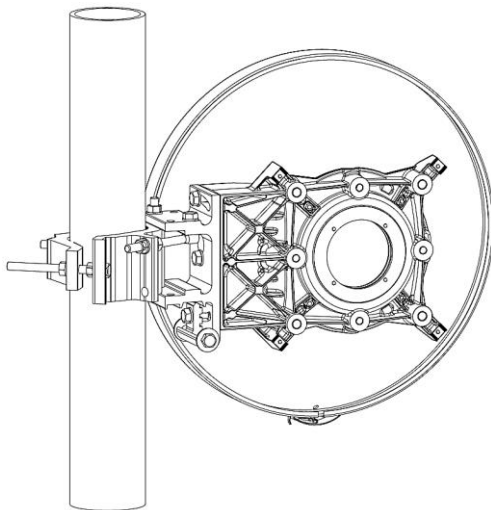
For assembling of radio interface; follow radio unique Installation Instruction.

Step 2 – Left or Right side installation

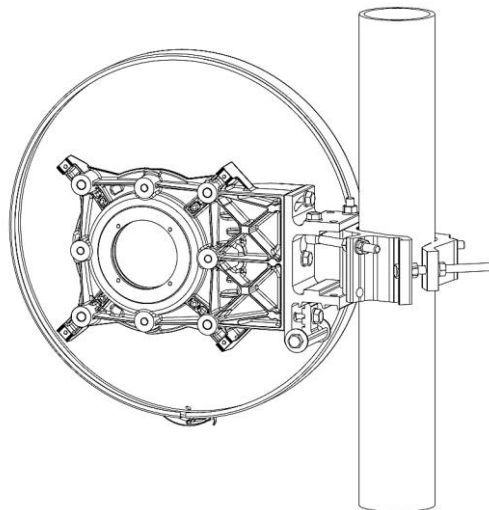
Determine if a left or right side installation is required, before proceeding with the installation.

For a right side installation, see chapter: Step 3.1 – Antenna support (right side installation).

For a left side installation, see chapter: Step 3.2 – Antenna support (left side installation).



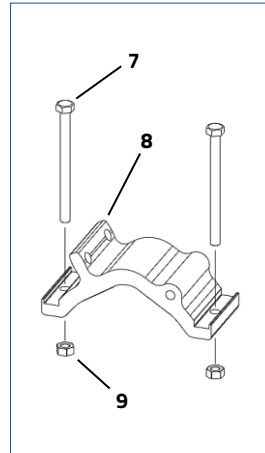
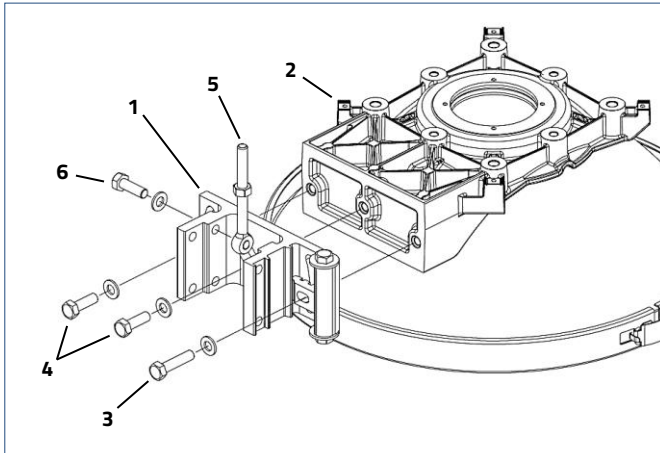
Right side installation



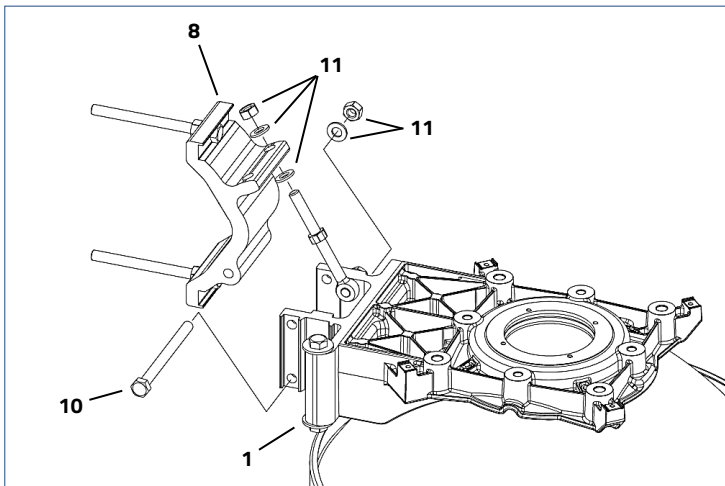
Left side installation

Step 3.1 – Antenna support (right side installation).

- a) Mount Pivot bracket (**1**) to Antenna (**2**) using 1pc M8x35 screw / 1pc Washer M8 (**3**) and 2pcs M8x25 screw / 2pcs Washer M8 (**4**). Fit screws finger tight.
- b) Mount 1pc M8 link screw (**5**) to Pivot bracket (**1**) using 1pc M8x25 screw / 1pc Washer M8 (**6**). Fit screw loosely.
- c) Mount 2pcs M8x100 screw (**7**) to Pipe attachment bracket (**8**) using 2pc M8 nut (**9**). Tighten nuts finger tight.

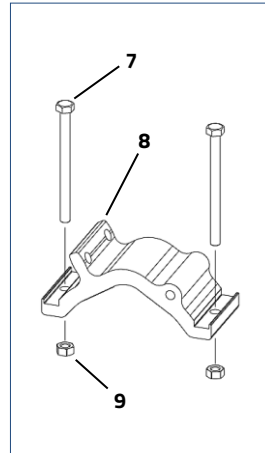
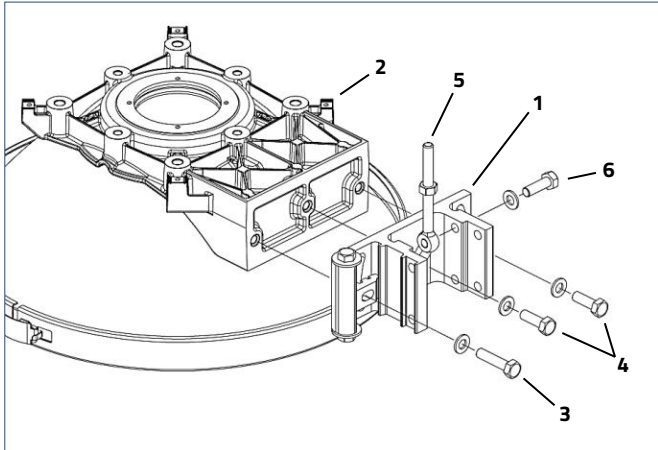


- d) Mount Pipe attachment bracket (**8**) to Pivot bracket (**1**) using 1pc M8x100 screw (**10**) and 2pcs M8 nut / 3pcs Washer M8 (**11**). Fit screw and nuts loosely.

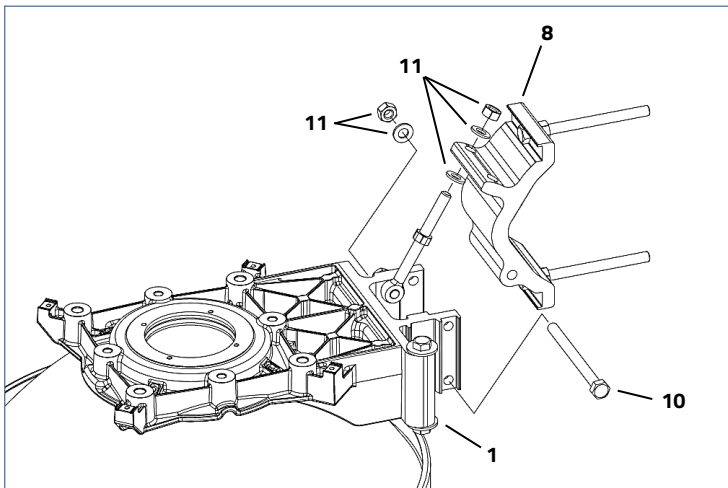


Step 3.2 – Antenna support (left side installation).

- a) Mount Pivot bracket (**1**) to Antenna (**2**) using 1pc M8x35 screw / 1pc Washer M8 (**3**) and 2pcs M8x25 screw / 2pcs Washer M8 (**4**). Fit screws finger tight.
- b) Mount 1pc M8 link screw (**5**) to Pivot bracket (**1**) using 1pc M8x25 screw / 1pc Washer M8 (**6**). Fit screw loosely.
- c) Mount 2pcs M8x100 screw (**7**) to Pipe attachment bracket (**8**) using 2pc M8 nut (**9**). Tighten nuts finger tight.



- d) Mount Pipe attachment bracket (**8**) to Pivot bracket (**1**) using 1pc M8x100 screw (**10**) and 2pcs M8 nut / 3pcs Washer M8 (**11**). Fit screw and nuts loosely.

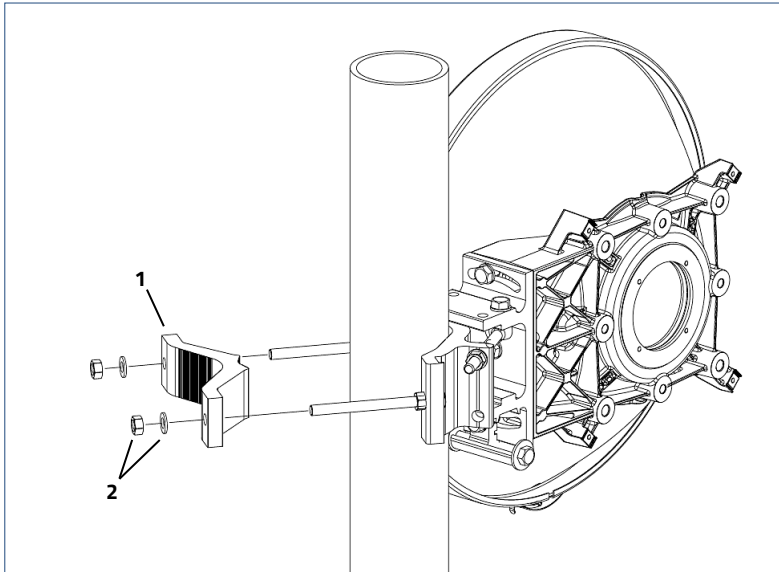


Installation

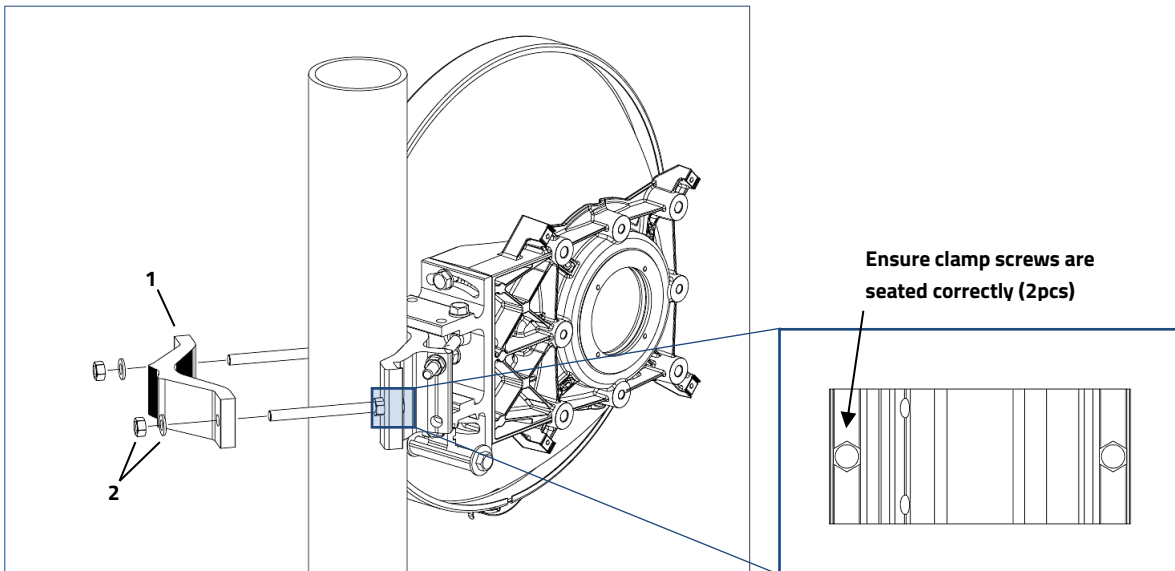
Tower pipe compatibility: $\text{Ø}50\text{-}\text{Ø}120$.

(Following steps/pictures describe a right side installation, see "Assembly: Step 2 – Left or Right side installation").

- Hoist and secure antenna to pipe using 1pc Clamp bracket (**1**) and 2pcs M8 nut / 2pcs Washer M8 (**2**). Flip the Clamp bracket depending on pipe diameter.
- Position the antenna so it will point along the radio link path and then tighten nuts to torque of $24\text{Nm} \pm 5\%$ if pipe is $\text{Ø}66\text{-}120\text{mm}$ or $32\text{Nm} \pm 5\%$ if pipe is $\text{Ø}50\text{-}66\text{mm}$.



Clamp orientation for pipes $\text{Ø}50\text{-}66\text{mm}$ (Tightening torque 32Nm)

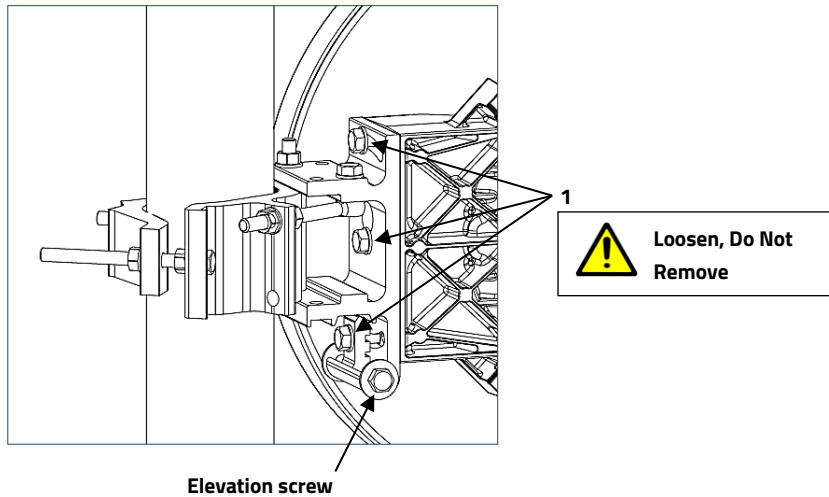


Clamp orientation for pipes $\text{Ø}66\text{-}120\text{mm}$ (Tightening torque 24Nm)

Antenna alignment

Elevation adjustment

- Ensure 3pcs M8 screw (**1**) are slightly loose.
- Rotate **Elevation screw** to adjust direction $\pm 15^\circ$.
- On completion tighten screws to torque of $24\text{Nm} \pm 5\%$.



Azimuth adjustment

- Ensure 3pcs M8 nut (**2**) (**3**) and 1pc M8 screw (**4**) are slightly loose.
- Move M8 nuts (**2**) along **Azimuth screw** to adjust direction $\pm 15^\circ$.
- On completion tighten all nuts and screw to torque of $24\text{Nm} \pm 5\%$.

