

Installation instruction

0.6m Antenna



LEAX Arkivator Telecom disclaims any liability for the results of improper or unsafe installation, inspection, maintenance, or removal practices.

Torsgatan 5B
SE-411 04 GÖTEBORG
SWEDEN

Telephone: +46 31 386 11 00
customer.lat@leax.com
www.leax.com

Tools required

- ✓ Allen key 3mm; for M4.
- ✓ Combination wrench (ring/open jaw) for Hex 13mm; for M8.
- ✓ Socket wrench and sockets for Hex 13mm; for M8.
- ✓ Tool for torque levels; 2.7Nm, 24Nm and 32Nm.

Unpacking

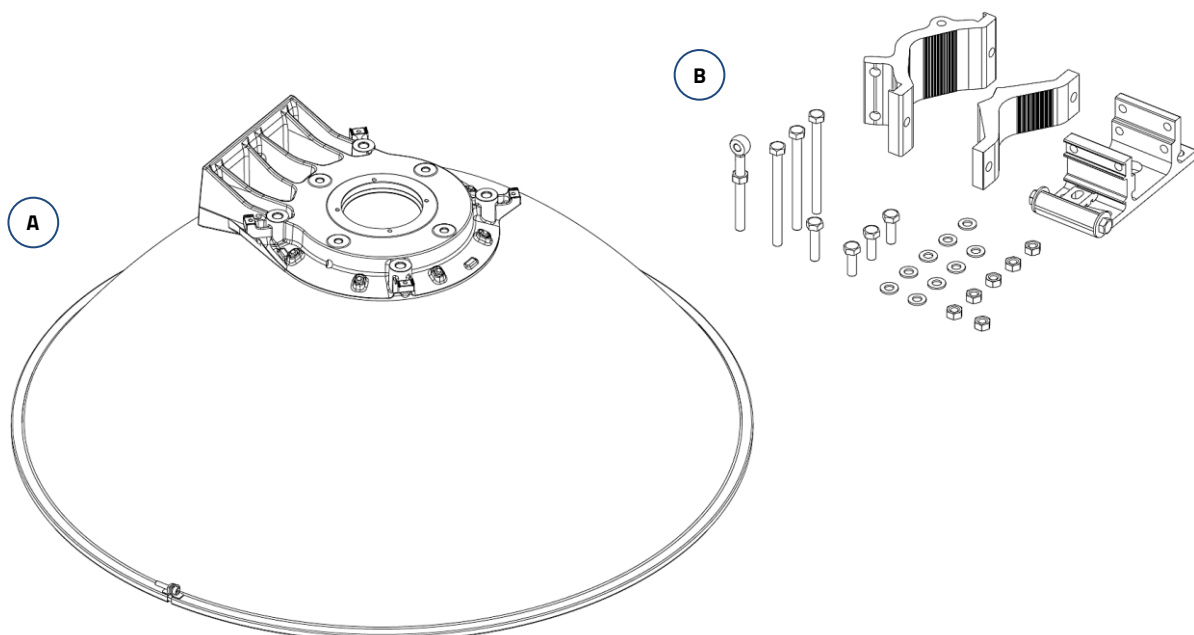
Antennas equipped with a flat radome should be placed on a flat clean surface during assembly, such as on top of the packing material. When equipped with a spherical radome, it might help to stabilize the antenna during installation, by placing it on top of a suitable packaging insert/box.



Handle Antenn carefully at all times.

Included parts

Item	Qty	Description
A	1	Antenna
B	1	Antenna support (Box)
	1	Pipe attachment bracket
	1	Clamp bracket
	1	Pivot bracket
	1	M8 link screw (and M8 nut)
	3	M8x100 screw
	1	M8x35 screw
	3	M8x25 screw
	9	Washer M8
	6	M8 nut



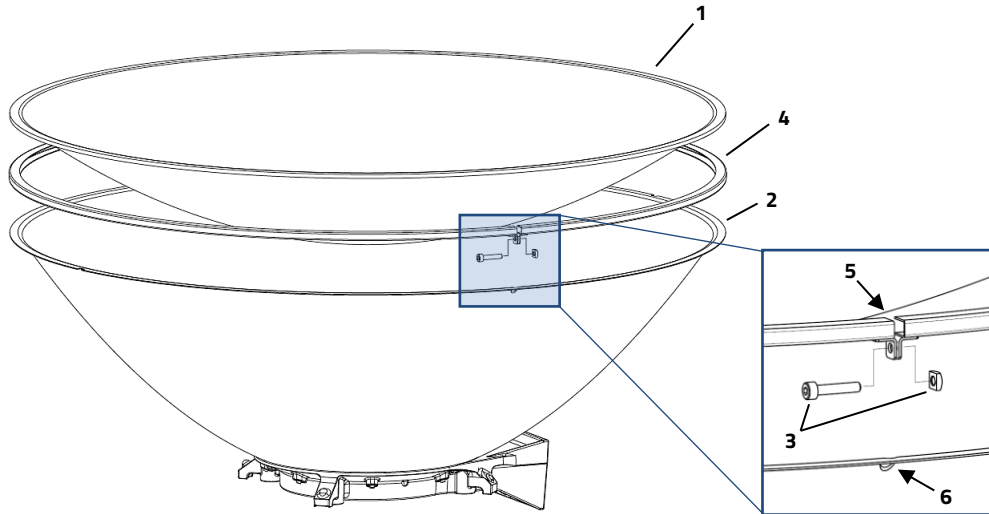
Assembly

Step 1 – Radome (only 26-42GHz)

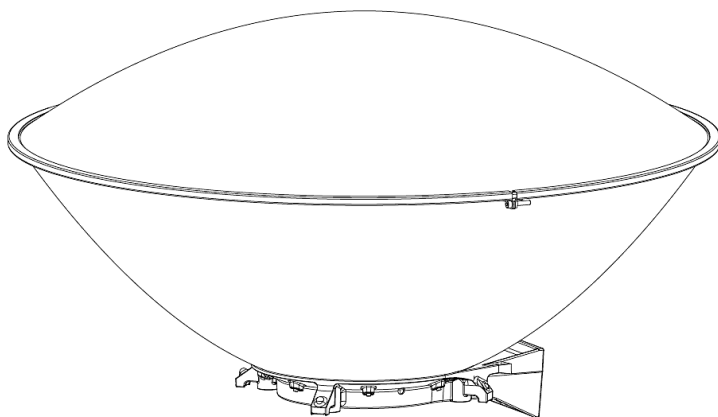
For frequencies 7/8-23, 80GHz, skip Step 1 and go directly to Step 2.

For frequencies 26-42GHz, start with Step 1a-1e.

- a) Detach Spherical radome (**1**) from Reflector (**2**) by unscrewing 1pc M4 screw and 1pc square Nut (**3**).
- b) Dismount Edge ring (**4**) and flip Spherical radome (**1**) 180°.



- c) Reattach Spherical radome (**1**) and Edge ring (**4**) to Reflector (**2**) using the same M4 screw and square Nut (**3**).
- d) Depending on, if a left or right side installation is required, align the opening of the Edge ring (**5**) to one of the two drain holes in the Reflector (**6**). The opening of the Edge ring (**5**) should be facing downward after installation has been completed. (See "Assembly: Step 2 - Left or Right side installation").
- e) Tighten screw to torque of $2.7\text{Nm} \pm 5\%$.

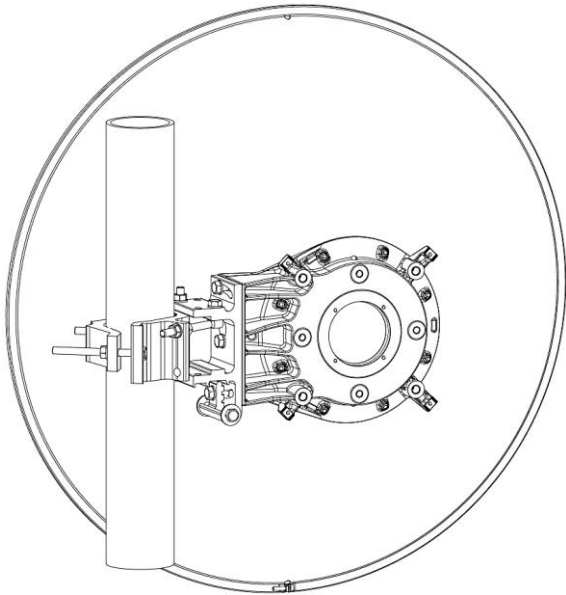


Step 2 – Left or Right side installation

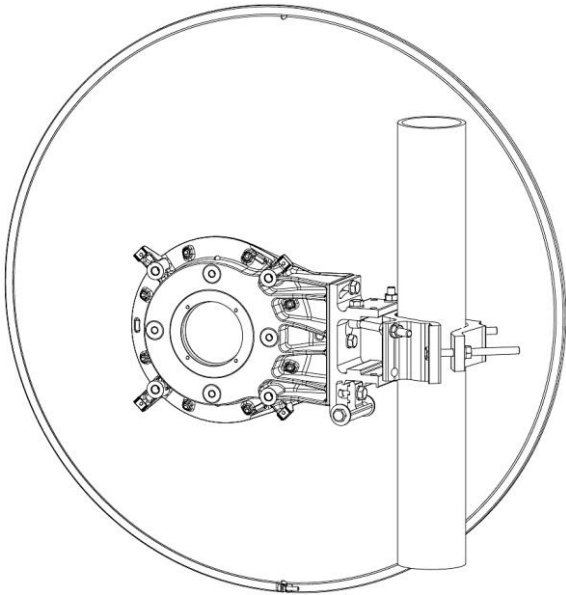
Determine if a left or right side installation is required, before proceeding with the installation:

For a right side installation, see chapter: Step 3.1 – Antenna support (right side installation).

For a left side installation, see chapter: Step 3.2 – Antenna support (left side installation).



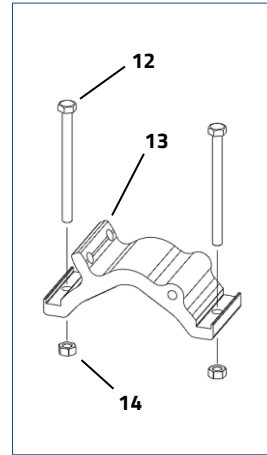
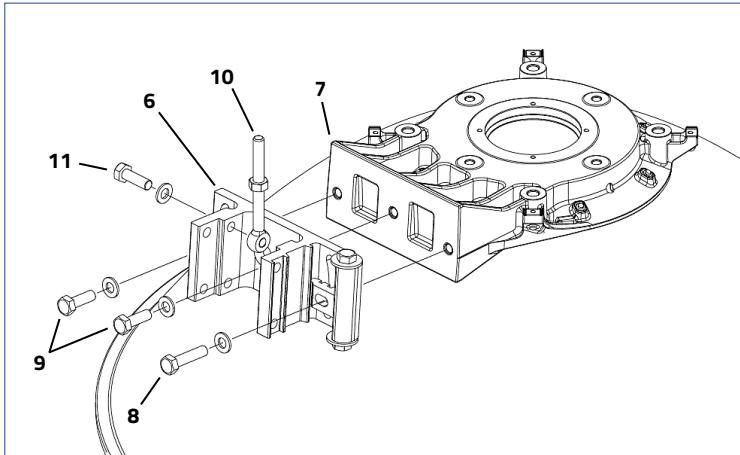
Right side installation



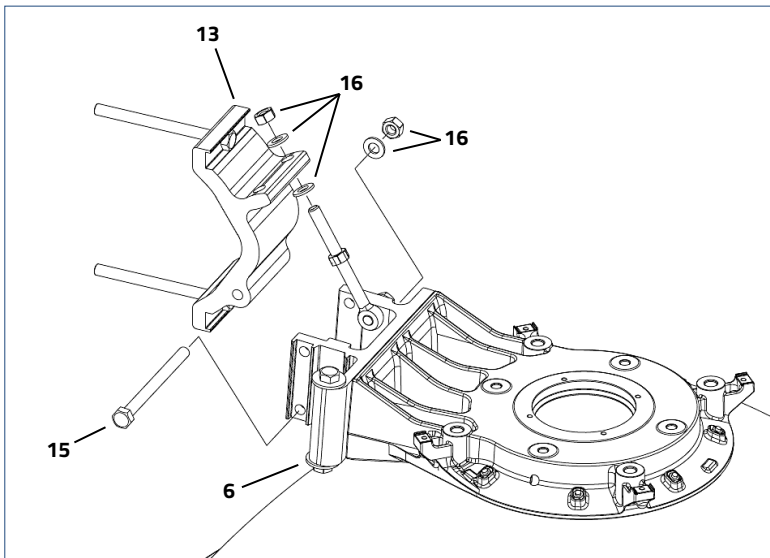
Left side installation

Step 3.1 – Antenna support (right side installation).

- a) Mount Pivot bracket (**6**) to Antenna (**7**) using 1pc M8x35 screw / 1pc Washer M8 (**8**) and 2pcs M8x25 screw / 2pcs Washer M8 (**9**). Fit screws finger tight.
- b) Mount 1pc M8 link screw (**10**) to Pivot bracket (**6**) using 1pc M8x25 screw / 1pc Washer M8 (**11**). Fit screw loosely.
- c) Mount 2pcs M8x100 screw (**12**) to Pipe attachment bracket (**13**) using 2pc M8 nut (**14**). Tighten nuts finger tight.

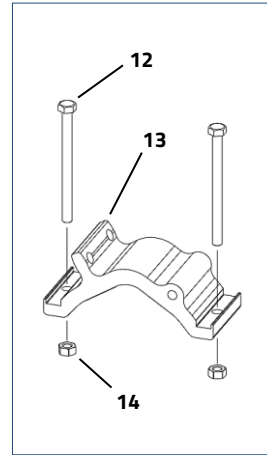
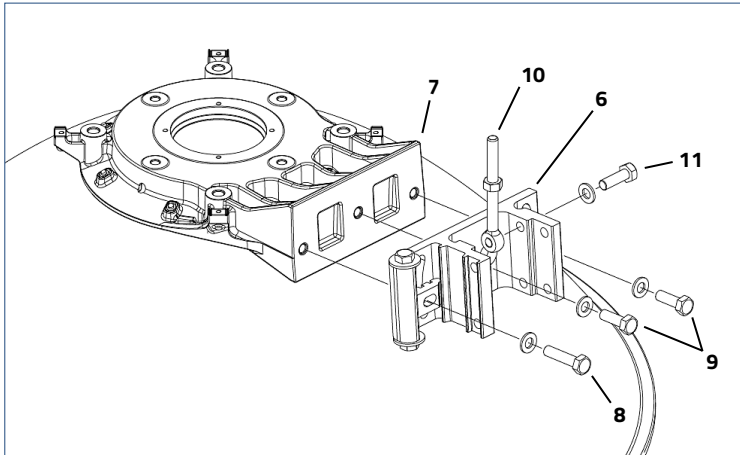


- d) Mount Pipe attachment bracket (**13**) to Pivot bracket (**6**) using 1pcs M8x100 screw (**15**) and 2pcs M8 nut / 3pcs Washer M8 (**16**). Fit screw and nuts loosely.

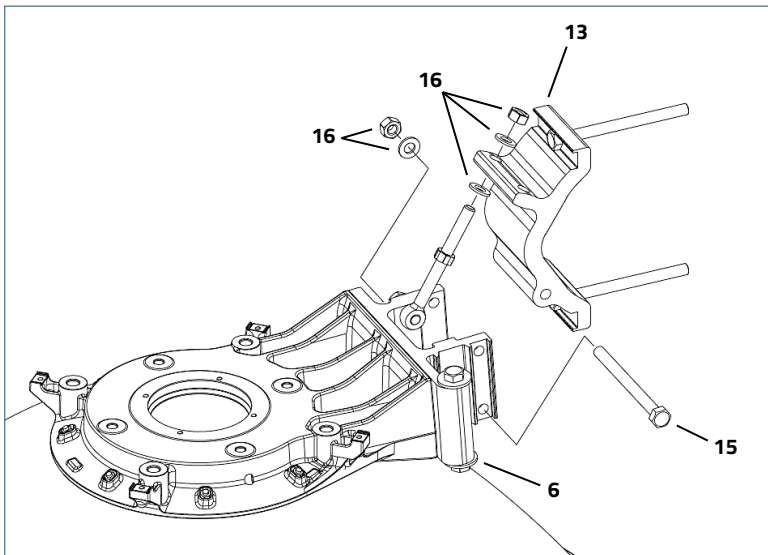


Step 3.2 – Antenna support (left side installation).

- a) Mount Pivot bracket (**6**) to Antenna (**7**) using 1pc M8x35 screw / 1pc Washer M8 (**8**) and 2pcs M8x25 screw / 2pcs Washer M8 (**9**). Fit screws finger tight.
- b) Mount 1pc M8 link screw (**10**) to Pivot bracket (**6**) using 1pc M8x25 screw / 1pc Washer M8 (**11**). Fit screw loosely.
- c) Mount 2pcs M8x100 screw (**12**) to Pipe attachment bracket (**13**) using 2pc M8 nut (**14**). Tighten nuts finger tight.



- d) Mount Pipe attachment bracket (**13**) to Pivot bracket (**6**) using 1pcs M8x100 screw (**15**) and 2pcs M8 nut / 3pcs Washer M8 (**16**). Fit screw and nuts loosely.



Step 4 – Radio unique Installation

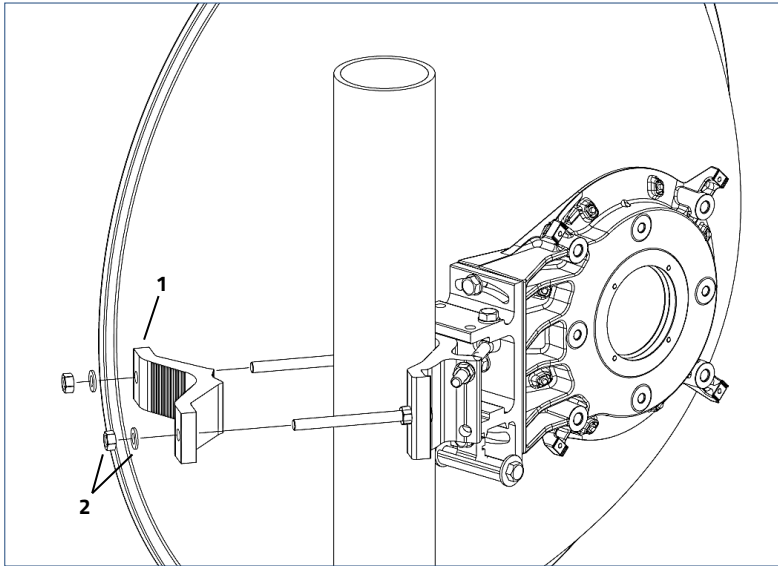
For assembling of radio interface; follow radio unique Installation Instruction.

Installation

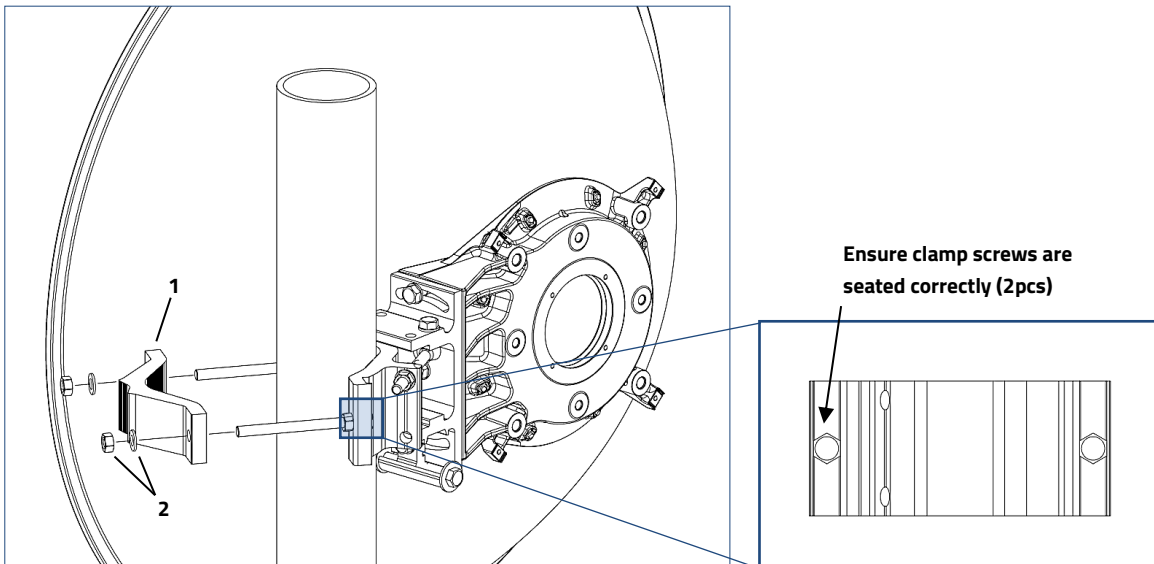
Tower pipe compatibility: Ø50- Ø120.

(Following steps/pictures describe a right side installation, see "Assembly: Step 2 – Left or Right side installation").

- a) Hoist and secure antenna to pipe using 1pc Clamp bracket (**1**) and 2pcs M8 nut / 2pcs Washer M8 (**2**). Flip the Clamp bracket depending on pipe diameter.
- b) Position the antenna so it will point along the radio link path and then tighten nuts to torque of 24Nm \pm 5% if pipe is Ø66-120mm or 32Nm \pm 5% if pipe is Ø50-66mm.



Clamp orientation for pipes Ø50-66mm (Tightening torque 32Nm)

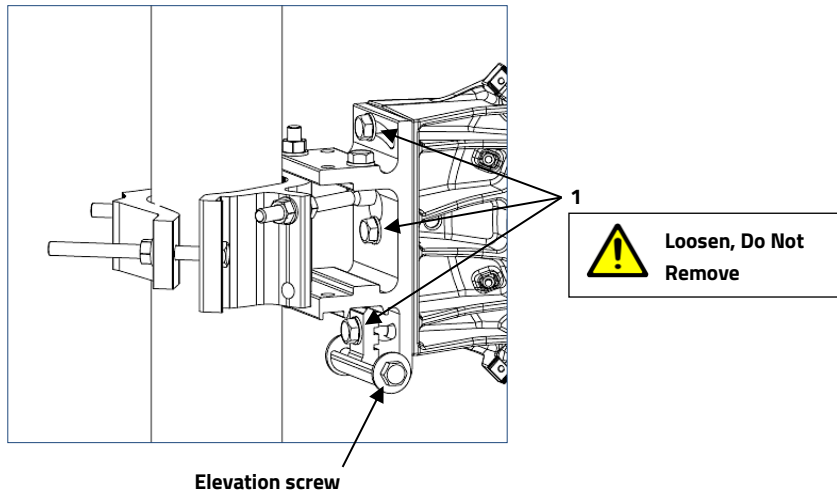


Clamp orientation for pipes Ø66-120mm (Tightening torque 24Nm)

Antenna alignment

Elevation adjustment

- Ensure 3pcs M8 screw (**1**) are slightly loose.
- Rotate **Elevation screw** to adjust direction $\pm 15^\circ$.
- On completion tighten screws to torque of $24\text{Nm} \pm 5\%$.



Azimuth adjustment

- Ensure 3pcs M8 nut (**2**) (**3**) and 1pc M8 screw (**4**) are slightly loose.
- Move M8 nuts (**2**) along **Azimuth screw** to adjust direction $\pm 15^\circ$.
- On completion tighten all nuts and screw to torque of $24\text{Nm} \pm 5\%$.

