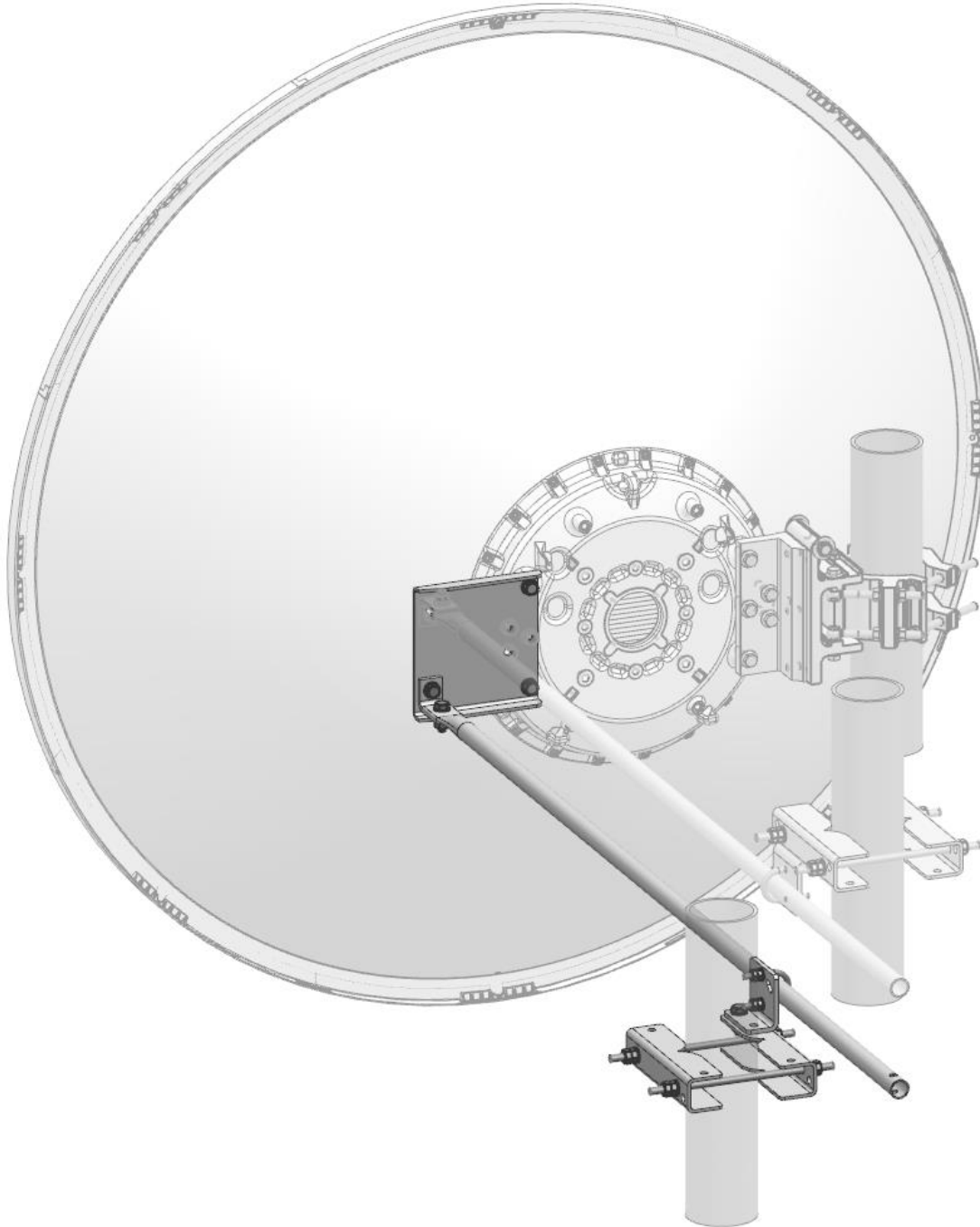


Installation instruction

Extra side strut kit – 1.2m antenna



LEAX Arkivator Telecom disclaims any liability for the results of improper or unsafe installation, inspection, maintenance, or removal practices.

Torsgatan 5B
SE-411 04 GÖTEBORG
SWEDEN

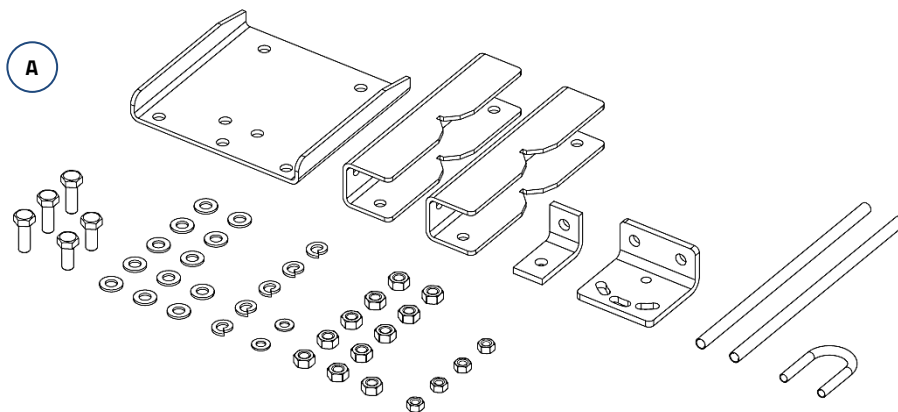
Telephone: +46 31 386 11 00
customer.lat@leax.com
www.leax.com

Tools required

- ✓ Combination wrenches (ring/open jaw) for Hex 13 & 16mm; for M8 and M10.
- ✓ Tool for torque levels; 24Nm and 49Nm.

Included parts

Item	Qty	Description
A	1	Extra side strut kit (Box)
	1	Double strut support bracket
	2	Clamp bracket
	1	L-bracket
	1	Strut attachment bracket
	2	M10 rod
	1	M8 U-bolt
	3	M10x30 screw
	2	M10x25 screw
	12	Washer M10
	5	Spring washer M10
	2	Washer M8
	11	M10 nut
	4	M8 nut
B	1	Extra side strut



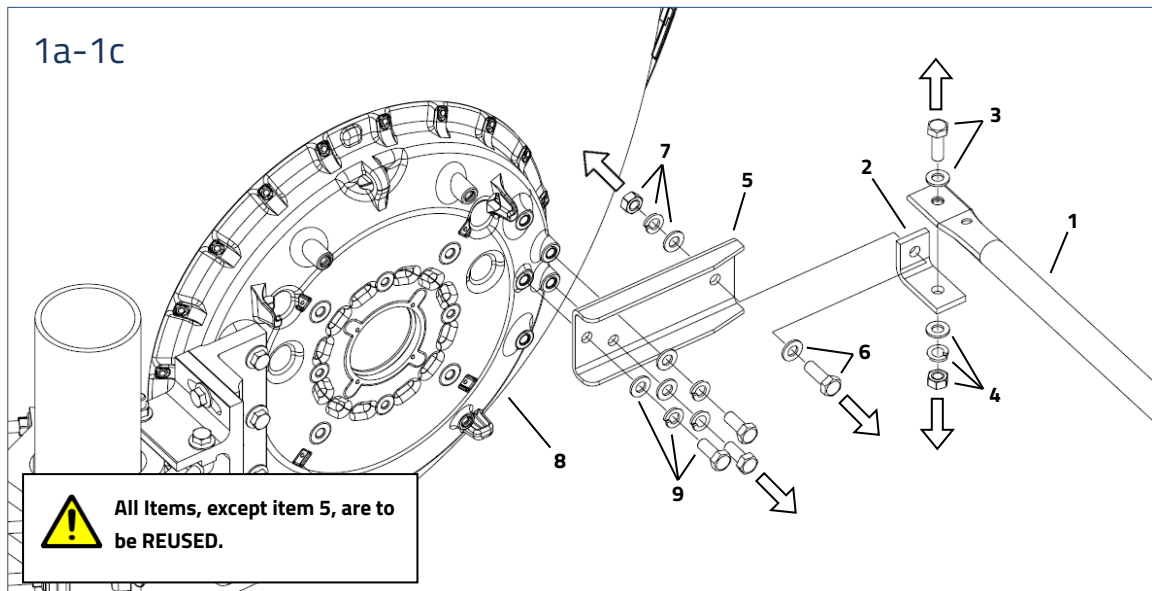
Assembly

Step 1 – Remove “Standard” side strut / Prepare for use of two Struts

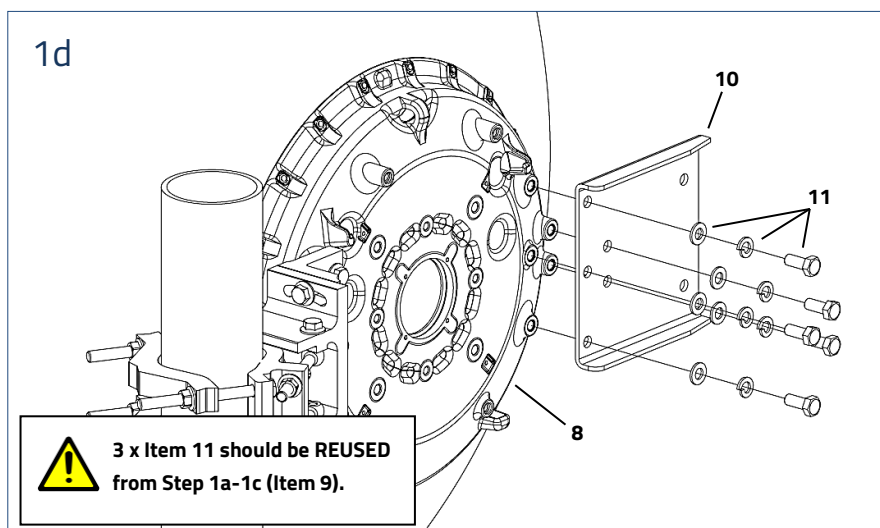
If the “Standard” side strut (**1**) has already been installed onto the antenna, then continue with Step 1a-1d. If not, then skip Step 1a-1c and go directly to Step 1d.

Note: All fasteners from Step 1a-1c are to be reused in later assembly.

- Dismount “Standard” side strut (**1**) from L-bracket (**2**) by removing 1pc M10x30 screw / 1pc Washer M10 (**3**) and 1pc M10 nut / 1pc Spring washer M10 / 1pc Washer M10 (**4**).
- Dismount L-bracket (**2**) from Strut support bracket (**5**) by removing 1pc M10x30 screw / 1pc Washer M10 (**6**) and 1pc M10 nut / 1pc Spring washer M10 / 1pc Washer M10 (**7**).
- Dismount Strut support bracket (**5**) from Antenna (**8**) by removing 3pcs M10x25 screw / 3pcs Spring washer M10 / 3pcs Washer M10 (**9**)



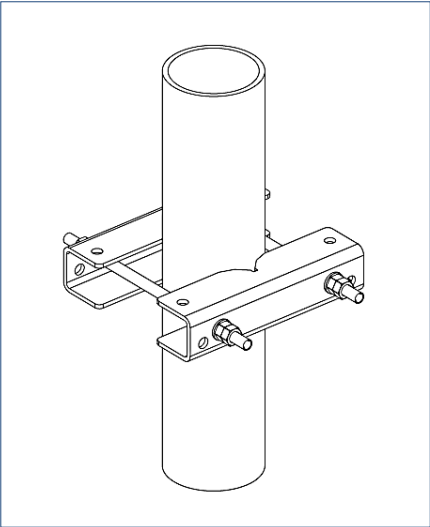
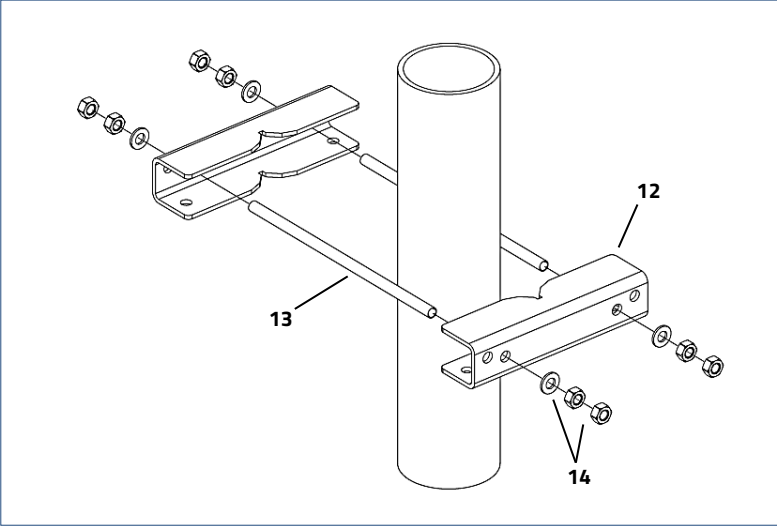
- Mount Double strut support bracket (**10**) to Antenna (**8**) using 5pcs M10x25 screw / 5pcs Spring washer M10 / 5pc Washer M10 (**11**). Tighten screws to torque of 49Nm \pm 5%.



Step 2 – Extra strut mount

For tower structure compatibility, see next page.

- a) Secure 2pcs Clamp bracket (**12**) to pipe or L-section structure using 2pcs M10 rod (**13**) and 4*2pcs M10 nut /4*1pcs Washer M10 (**14**). Tighten nuts to torque of 49Nm \pm 5%.

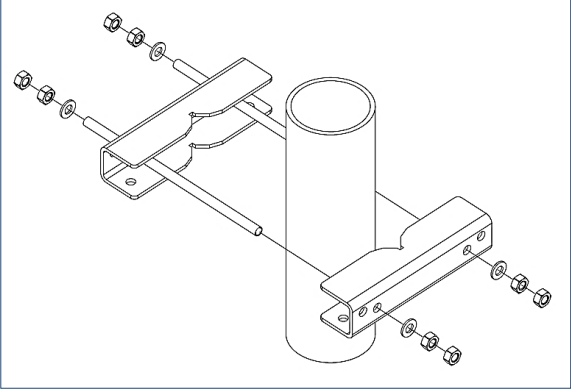


Alternative bracket orientation

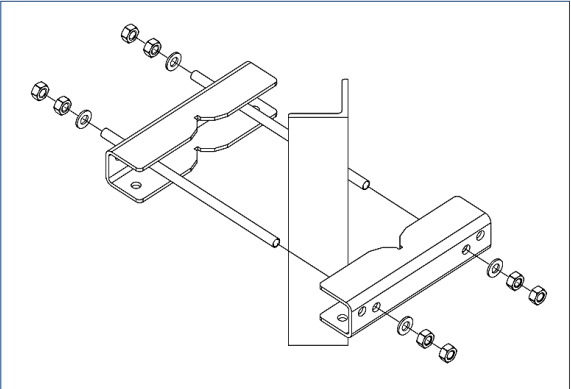
Compatible tower structure profiles

Tower pipe compatibility: Ø50- Ø115.

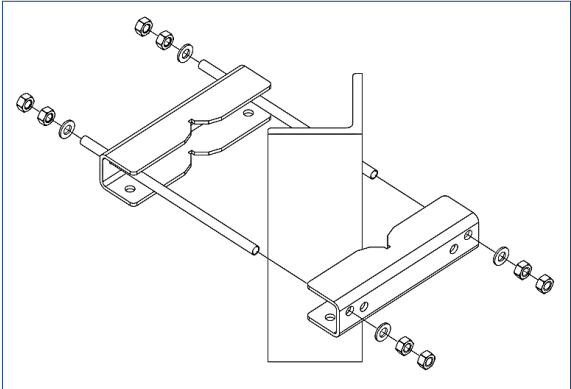
Tower L-section compatibility: L40x40- L110x110.



Assembly for pipes Ø50 up to Ø115



Assembly for L40x40 up to L70x70



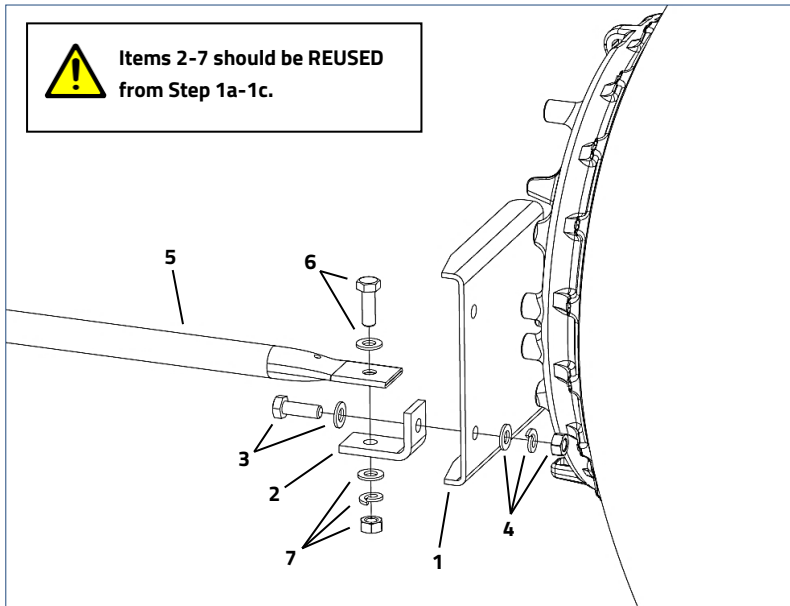
Assembly for L > 70x70 up to L110x110

Installation

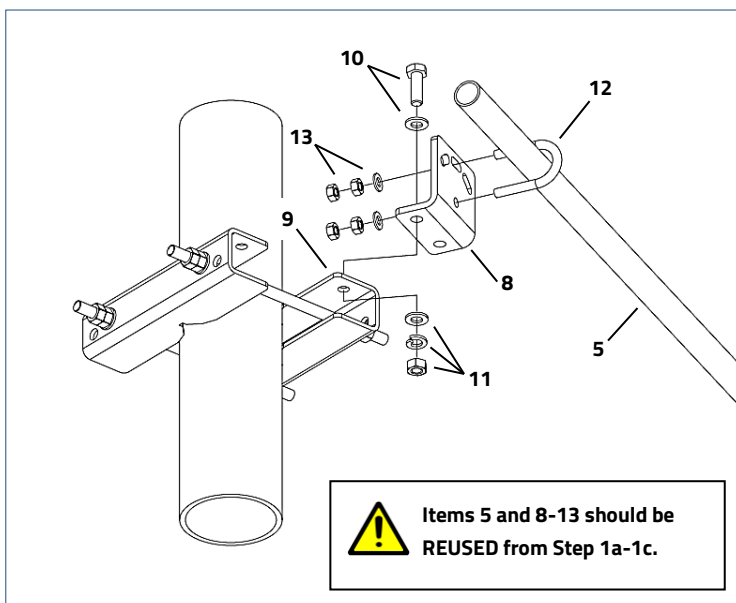
1st Side strut (Standard)

For an easier installation, all Side struts should be fitted loosely until antenna alignment has been completed.

- a) Mount L-bracket (**2**) to Double strut support bracket (**1**) using 1pc M10x30 screw / 1pc Washer M10 (**3**) and 1pc M10 nut / 1pc Spring washer M10 / 1pc Washer M10 (**4**).
- b) Mount "Standard" side strut (**5**) to L-bracket (**2**) using 1pc M10x30 screw / 1pc Washer M10 (**6**) and 1pc M10 nut / 1pc Spring washer M10 / 1pc Washer M10 (**7**).

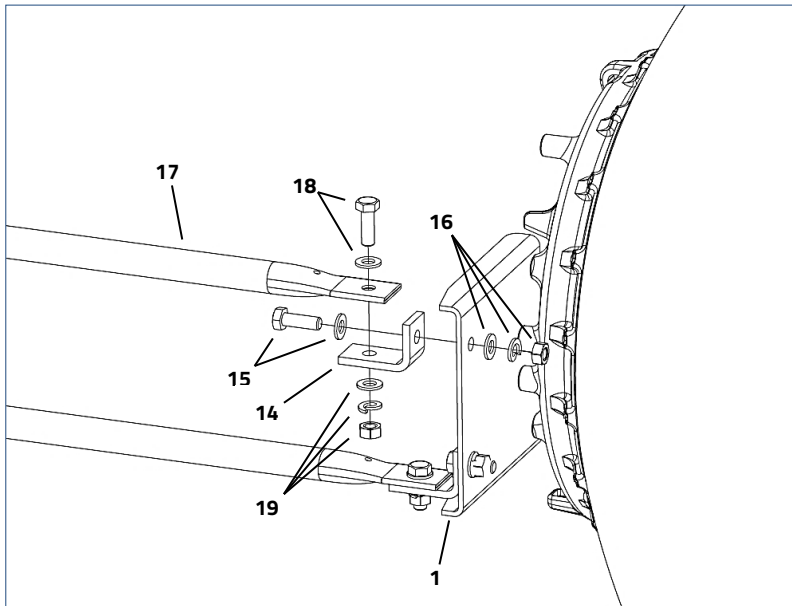


- c) Mount Strut attachment bracket (**8**) to one of the four corners of the Clamp brackets (**9**) using 1pc M10x30 screw / 1pc Washer M10 (**10**) and 1pc M10 nut / 1pc Spring washer M10 / 1pc Washer M10 (**11**).
- d) Attach and secure "Standard" side strut (**5**) to Strut attachment bracket (**8**) using 1pc M8 U-bolt (**12**) and 2*2pcs M8 nut / 2*1pcs Washer M8 (**13**).

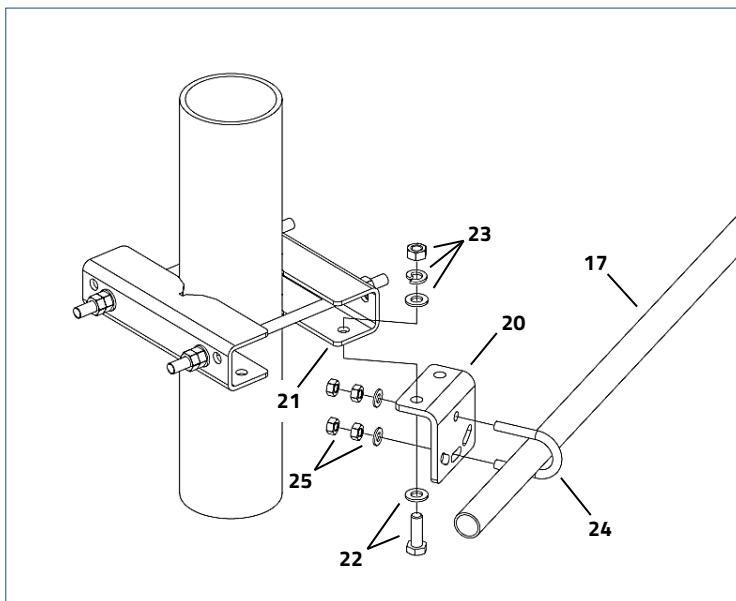


2nd Side strut (Extra)

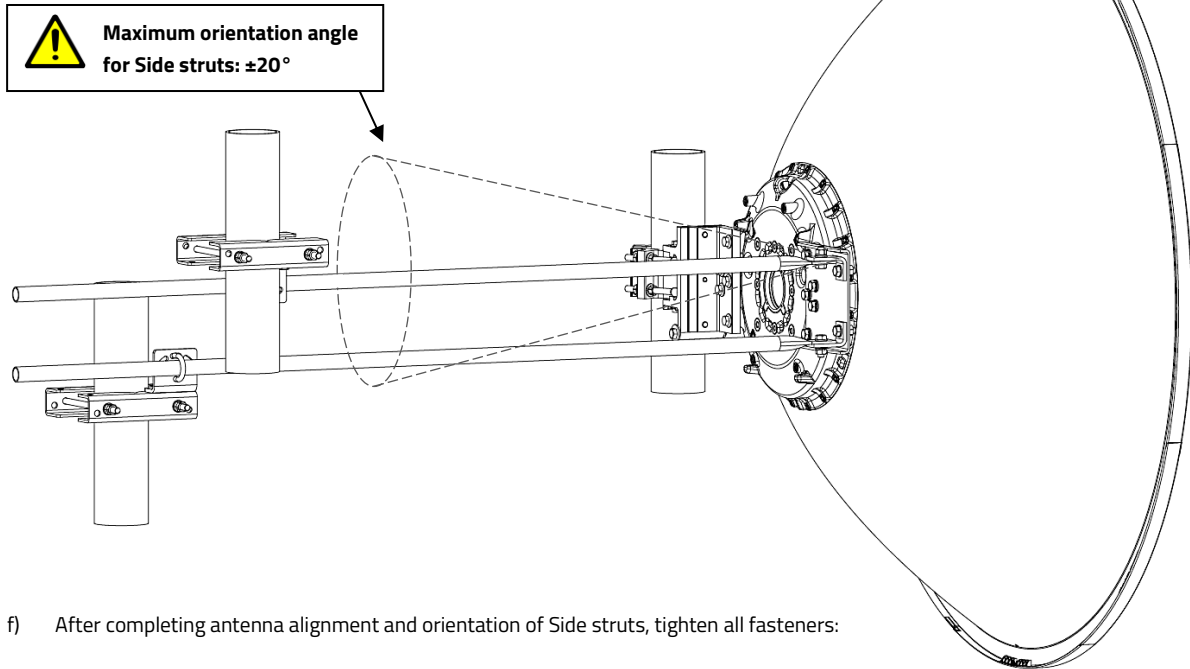
- a) Mount L-bracket (**14**) to Double strut support bracket (**1**) using 1pc M10x30 screw /1pc Washer M10 (**15**) and 1pc M10 nut /1pc Spring washer M10 /1pc Washer M10 (**16**).
- b) Mount "Extra" side strut (**17**) to L-bracket (**14**) using 1pc M10x30 screw /1pc Washer M10 (**18**) and 1pc M10 nut /1pc Spring washer M10 /1pc Washer M10 (**19**).



- c) Mount Strut attachment bracket (**20**) to one of the four corners of the Clamp brackets (**21**) using 1pc M10x30 screw /1pc Washer M10 (**22**) and 1pc M10 nut /1pc Spring washer M10 /1pc Washer M10 (**23**).
- d) Attach and secure "Extra" side strut (**17**) to Strut attachment bracket (**20**) using 1pc M8 U-bolt (**24**) and 2*2pcs M8 nut /2*1pcs Washer M8 (**25**).



- e) Respect the maximum orientation angle indicated below.
(This angle may be limited by the radio equipment).



- f) After completing antenna alignment and orientation of Side struts, tighten all fasteners:

1st Side strut (Standard)

- 2pcs M10 screws/nuts (**3/4** and **6/7**) to torque of 49Nm ± 5%.
- 2*2pcs M8 nuts (**13**) to torque of 24Nm ± 5%.
- 1pc M10 screw/nut (**10/11**) to torque of 49Nm ± 5%.

2nd Side strut (Extra)

- 2pcs M10 screws/nuts (**15/16** and **18/19**) to torque of 49Nm ± 5%.
- 2*2pcs M8 nuts (**25**) to torque of 24Nm ± 5%.
- 1pc M10 screw/nut (**22/23**) to torque of 49Nm ± 5%.