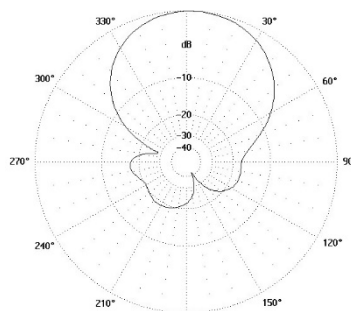
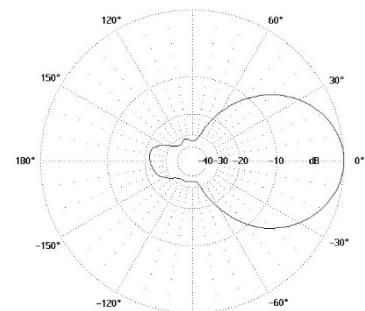


Description

BD 311 directional base antenna is designed for mobile and data radio networks.



Radiation pattern – H plane



Radiation pattern – E plane

Technical Specifications

Type		BD 311
Frequency range	MHz	380 ÷ 395
Type of antenna		YAGI
Gain	dBi	9
Radiation pattern		directional
Beamwidth – H plane	°	80 ÷ 87
Beamwidth – E plane	°	54 ÷ 60
Front-to-back ratio	dB	18 ÷ 27
Polarization		vertical
Impedance	Ω	50
VSWR		< 1.5
Maximum input power	W	200
Grounding		all metal parts of antenna including mounting kit are DC grounded
Material of antenna		lacquered aluminium alloy, plastic, stainless steel
Antenna holder	mm	RCAK 400 52 – Ø 35 ÷ 76 (standard)
		RCAK 400 44 – Ø 60 ÷ 90
		RCK 100 001 – Ø 90 ÷ 120
Material of holder		aluminium alloy, hot-dip zinc steel; all screws and nuts: stainless steel
Weight of antenna / holder	kg	1.4 / 0.5
Maximum wind velocity	km/h	160
Wind load (at 160 km/h)	N	55
Dimensions l × h	mm	840 × 387
Connector type		N female